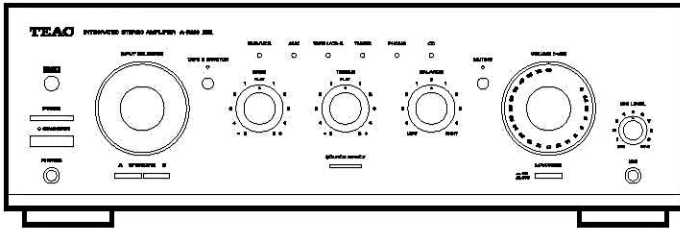


TEAC



SERVICE MANUAL

Simplified
簡易版

A-R610

INTEGRATED STEREO AMPLIFIER

CONTENTS

| | |
|---|---|
| 1. SPECIFICATIONS | 2 |
| 2. EXPLODED VIEWS AND PARTS LISTS | 3 |
| 3. PC BOARDS | 4 |
| 4. INCLUDED ACCESSORIES | 6 |

NOTES

- PC boards shown are viewed from parts side.
- The parts with no reference number or no parts number in the exploded views are not supplied.
- As regards the resistors and capacitors, refer to the circuit diagrams supplied prior to this manual.
- ⚠ Parts marked with this sign are safety critical components. They must be replaced with designated components.
- Destination of product is expressed by [] mark and ensure exact replacement: [EUR] - Europe, [UK] - UK

1. SPECIFICATIONS

Amplifier Section

| | |
|-------------------------------|---|
| Continuous Power Output | 120 W+120 W RMS (1 kHz, 4 ohms, 0.5 %) |
| | 90 W+90 W (1 kHz, 8 ohms, 0.5 %) |
| Total Harmonic Distortion | 0.02% (1 kHz, 8 ohms, 60W) |
| Input Sensitivity/Impedance | PHONO: 2.8 mV/47 k ohms |
| | LINE*: 180 mV/47 k ohms |
| Signal-to-Noise Ratio (IHF-A) | PHONO: 65 dB |
| | LINE*: 90 dB |
| Output Level/Impedance | TAPE: 150 mV/3.3 k ohms |
| Frequency Response | PHONO: 20 to 20,000 Hz, ± 1 dB (RIAA) |
| | LINE*: 5 to 80,000 Hz, (SOURCE DIRECT, 1 W) |
| Tone Control | BASS: ± 10 dB at 100 Hz |
| | TREBLE: ± 10 dB at 10 kHz |
| Muting | -20 dB |

General

| | |
|------------------------|------------------------------|
| Power Requirements | 230 V AC, 50 Hz |
| Power consumption | 300 W (Standby: 1.1 W) |
| Dimensions (W x H x D) | 430 x 142 x 355 mm |
| Weight (net) | 9.7 kg |

Standard Accessories

| | |
|-------------------------------|-----|
| Remote Control Unit (UR-592B) | x 1 |
| Battery (AAA, R03, UM-4) | x 2 |
| Owner's Manual | x 1 |
| Warranty Card | x 1 |

*: LINE means TUNER, CD, DVR/VCR, AUX, TAPE1/CD-R, TAPE2.

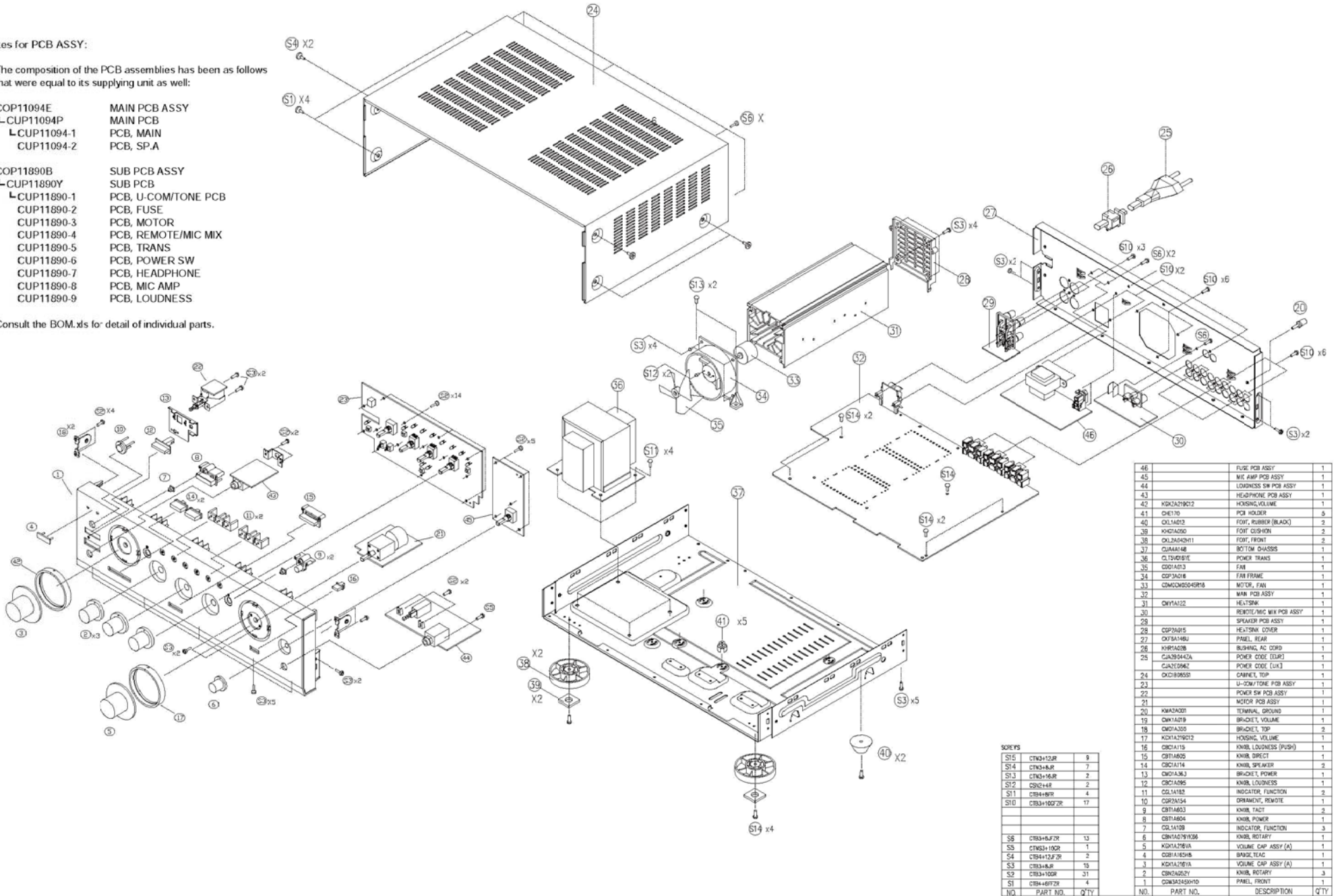
2. EXPLODED VIEWS AND PARTS LISTS

Notes for PCB ASSY:

1. The composition of the PCB assemblies has been as follows that were equal to its supplying unit as well:

- | | |
|--------------|---------------------|
| COP11094E | MAIN PCB ASSY |
| └CUP11094P | MAIN PCB |
| └└CUP11094-1 | PCB, MAIN |
| └└CUP11094-2 | PCB, SP.A |
| | |
| COP11890B | SUB PCB ASSY |
| └CUP11890Y | SUB PCB |
| └└CUP11890-1 | PCB, U-COM/TONE PCB |
| └└CUP11890-2 | PCB, FUSE |
| └└CUP11890-3 | PCB, MOTOR |
| └└CUP11890-4 | PCB, REMOTE/MIC MIX |
| └└CUP11890-5 | PCB, TRANS |
| └└CUP11890-6 | PCB, POWER SW |
| └└CUP11890-7 | PCB, HEADPHONE |
| └└CUP11890-8 | PCB, MIC AMP |
| └└CUP11890-9 | PCB, LOUDNESS |

2. Consult the BOM.xls for detail of individual parts.

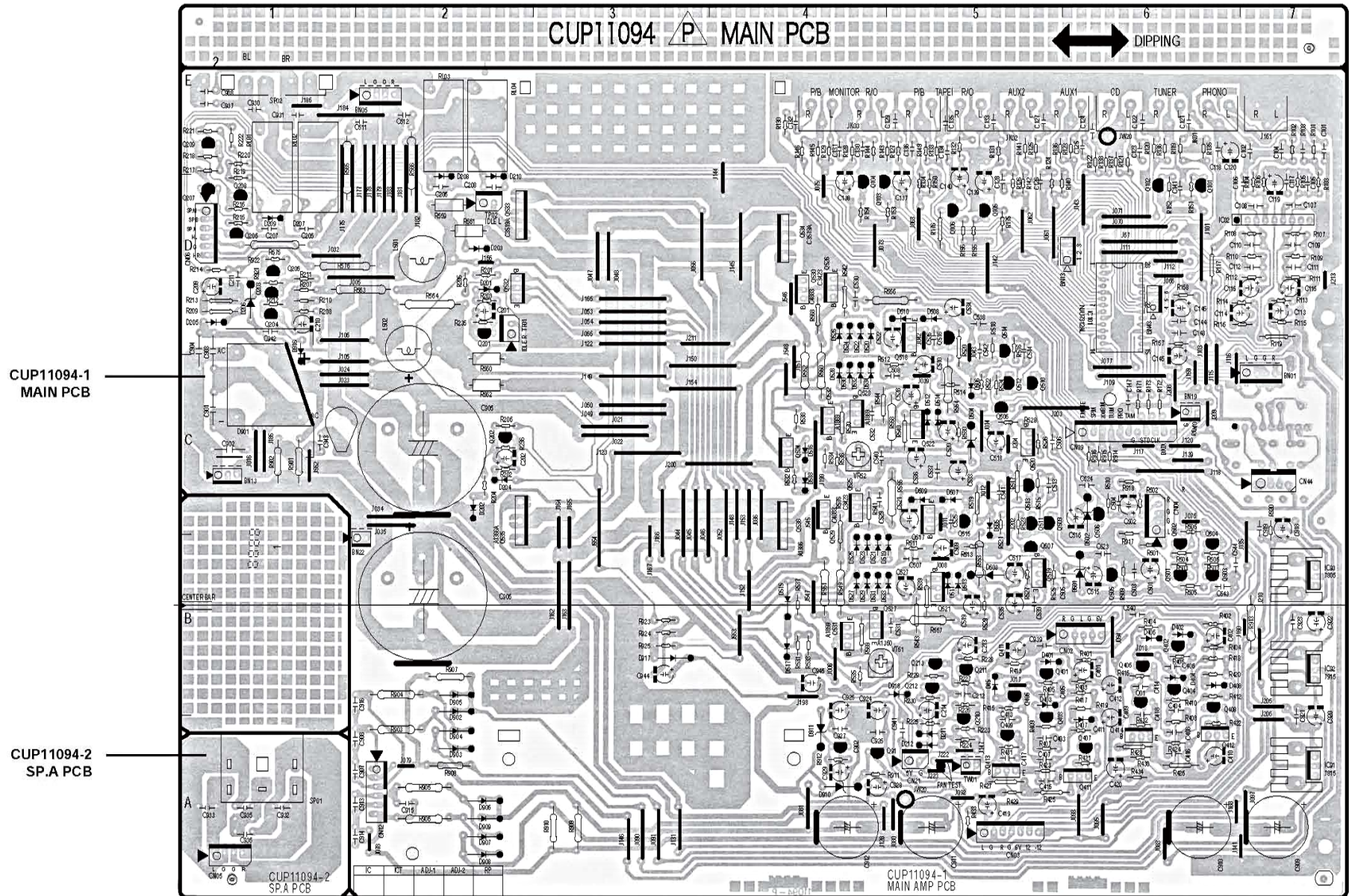


| NO. | PART NO. | DESCRIPTION | QTY |
|-----|--------------|-------------------------|-----|
| 46 | | FUSE PCB ASSY | 1 |
| 45 | | MIC AMP PCB ASSY | 1 |
| 44 | | LOUDNESS SW PCB ASSY | 1 |
| 43 | | HEADPHONE PCB ASSY | 1 |
| 42 | K0K2A219C12 | HOUSING,VOLUME | 1 |
| 41 | Q1E170 | PCB HOLDER | 5 |
| 40 | OL1A012 | FOOT, RUBBER (BLACK) | 2 |
| 39 | KH01A090 | FOOT CLIP/HORN | 2 |
| 38 | OK12A02H11 | FOOT, FRONT | 2 |
| 37 | QJAA148 | BOTTOM CHASSIS | 1 |
| 36 | CL12V081E | POWER TRANS | 1 |
| 35 | OD01A03 | FAN | 1 |
| 34 | ODP3A016 | FAN FRAME | 1 |
| 33 | ODMCOM254R10 | MOTOR, FAN | 1 |
| 32 | | MAIN PCB ASSY | 1 |
| 31 | QMY1A022 | HEATSH | 1 |
| 30 | | REMOTE/MIC MIX PCB ASSY | 1 |
| 29 | | SPEAKER PCB ASSY | 1 |
| 28 | ODP2A015 | HEATSHK COVER | 1 |
| 27 | OK1A148U | PANEL, REAR | 1 |
| 26 | KH01A028 | BUSHING, AC DCRD | 1 |
| 25 | CA139142A | POWER CODE (DUR) | 1 |
| 24 | CA139142E | POWER CODE (LX) | 1 |
| 23 | OK139035 | CANFET, TOP | 1 |
| 22 | | U-COM/TONE PCB ASSY | 1 |
| 21 | | POWER SW PCB ASSY | 1 |
| 20 | | MOTOR PCB ASSY | 1 |
| 19 | KM0A001 | TEMPRAL, GROUND | 1 |
| 18 | QMY1A019 | BRACKET, VOLUME | 1 |
| 17 | QMY1A035 | BRACKET, TOP | 2 |
| 16 | KH1A219C12 | HOUSING, VOLUME | 1 |
| 15 | OK1A115 | KNBL, LOUDNESS (PUSH) | 1 |
| 14 | OD1A005 | KNBL, DIRECT | 1 |
| 13 | OK1A114 | KNBL, SPEAKER | 2 |
| 12 | QMY1A043 | KNBL, POWER | 1 |
| 11 | OK1A096 | KNBL, LOUDNESS | 1 |
| 10 | CL1A183 | INDICATOR, FUNCTION | 2 |
| 9 | ODP2A154 | ORNAMENT, REMOTE | 1 |
| 8 | OD1A003 | KNBL, TACT | 2 |
| 7 | OD1A004 | KNBL, POWER | 1 |
| 6 | OD1A158 | INDICATOR, FUNCTION | 3 |
| 5 | OK1A219106 | KNBL, ROTARY | 1 |
| 4 | OD1A2191A | VOLUME CAP ASSY (A) | 1 |
| 3 | OD1A1801A | SWAGE, TEAC | 1 |
| 2 | OD1A2191A | VOLUME CAP ASSY (A) | 1 |
| 1 | OK1A202Y | KNBL, ROTARY | 3 |
| | OK1A202Y10 | PANEL, FRONT | 1 |

| NO. | PART NO. | QTY |
|-----|-------------|-----|
| S15 | CTN3-12ZR | 9 |
| S14 | CTN3-8ZR | 7 |
| S13 | CTN3-16ZR | 2 |
| S12 | OSR144F | 2 |
| S11 | CRB4-8P | 4 |
| S10 | CRB3-1607ZR | 17 |
| 9 | CR1A603 | |
| 8 | CR1A604 | |
| 7 | CR1A158 | |
| 6 | CR1A219106 | |
| 5 | KH1A2191A | |
| 4 | OD1A1801A | |
| 3 | KH1A2191A | |
| 2 | CR1A202Y | |
| 1 | OK1A202Y10 | |

3. PC BOARDS

MAIN PCB



Consult the BOM.xls for detail of individual parts.

SUB PCB

CUP11890-8
MIC AMP PCB

CUP11890-9
LOUDNESS SW PCB

CUP11890-7
HEADPHONE PCB

CUP11890 SUB PCB

CUP11890-4
REMOTE/MIC MIX PCB

CUP11890-6
POWER SW PCB

CUP11890-10
VOL SEL PCB

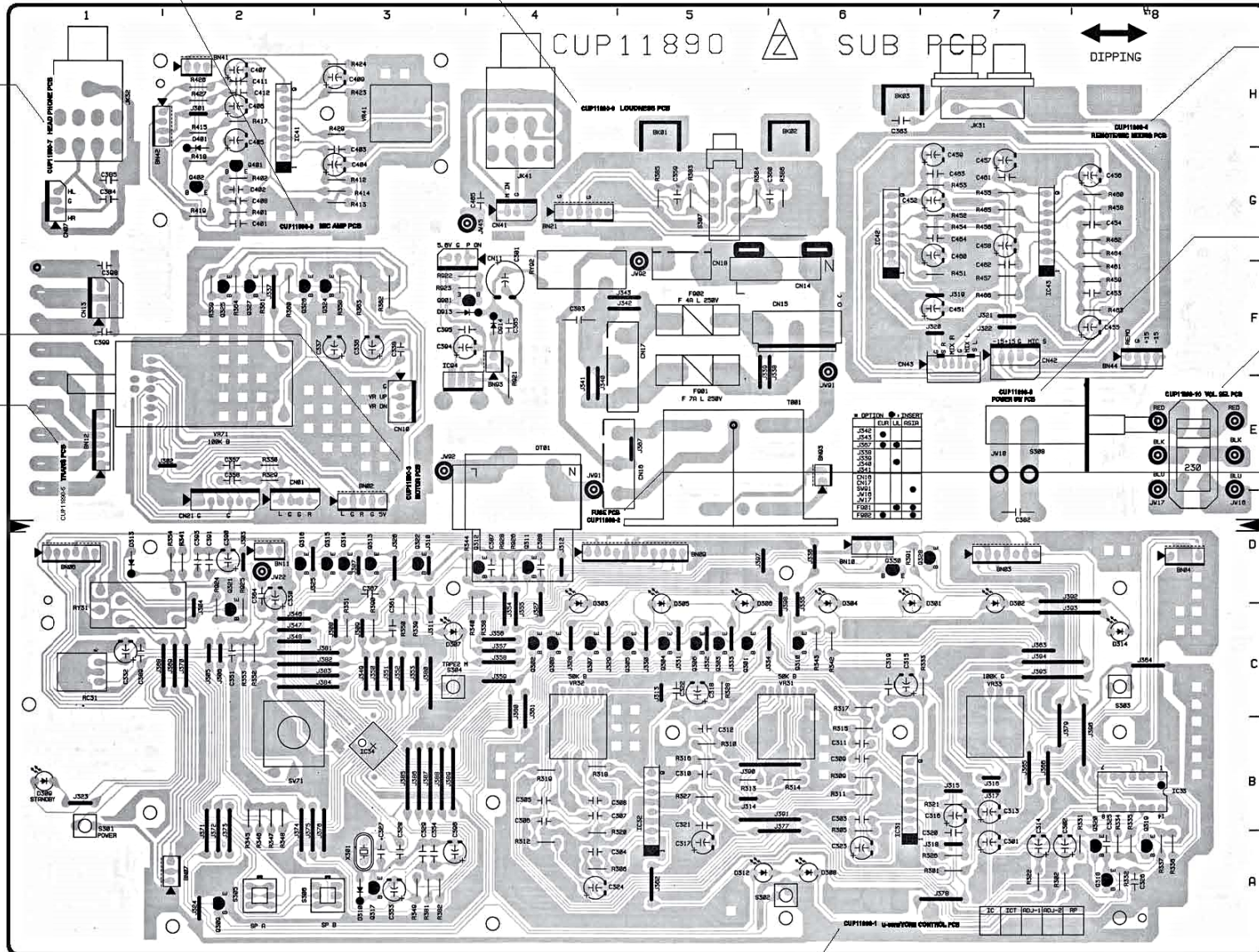
CUP11890-2
FUSE PCB

CUP11890-3
MOTOR PCB

CUP11890-5
TRANS PCB

CUP11890-1
U-COM/TONE PCB

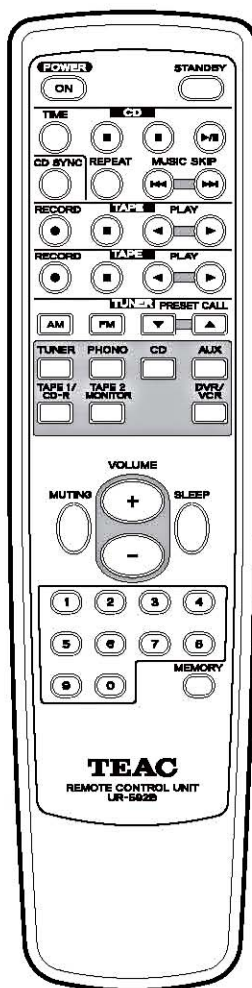
Consult the BOM.xls for detail of individual parts.



4. INCLUDED ACCESSORIES

| REF. NO. | PARTS NO. | DESCRIPTION | REMARKS |
|----------|------------|-----------------------------|---------|
| | CQX1A484W | OWNER'S MANUAL | |
| | CABR03PPB | BATTERY , AAA 2 PCS IN PACK | |
| | CARTAR600Y | REMOTE CONTROL UNIT UR-592B | |

REMOTE CONTROL UNIT
UR-592B



A-R610

TEAC

TEAC CORPORATION 1-47,Ochiai, Tamashi, Tokyo 206-8530, Japan Phone: (042) 356-9155

TEAC AMERICA, INC. 7733 Telegraph Road, Montebello, California 90640 Phone: (323) 726-0303

TEAC CANADA LTD. 5939 Wallace Street, Mississauga, Ontario L4Z 1Z8, Canada Phone: (905) 890-8008

TEAC MEXICO, S.A. De C.V Rio Churubusco 364, Colonia Del Carmen, Delegación Coyoacán, CP 04100, México DF, México Phone: (5255) 5010-6000

TEAC UK LIMITED Unit 19 & 20, The Courtyards, Hatters Lane, Watford, Hertfordshire, WD18 8TE, U.K. Phone: (0845) 130-2511

TEAC EUROPE GmbH Bahnstrasse 12, 65205 Wiesbaden-Erbenheim, Germany Phone: 0611-71580

TEAC

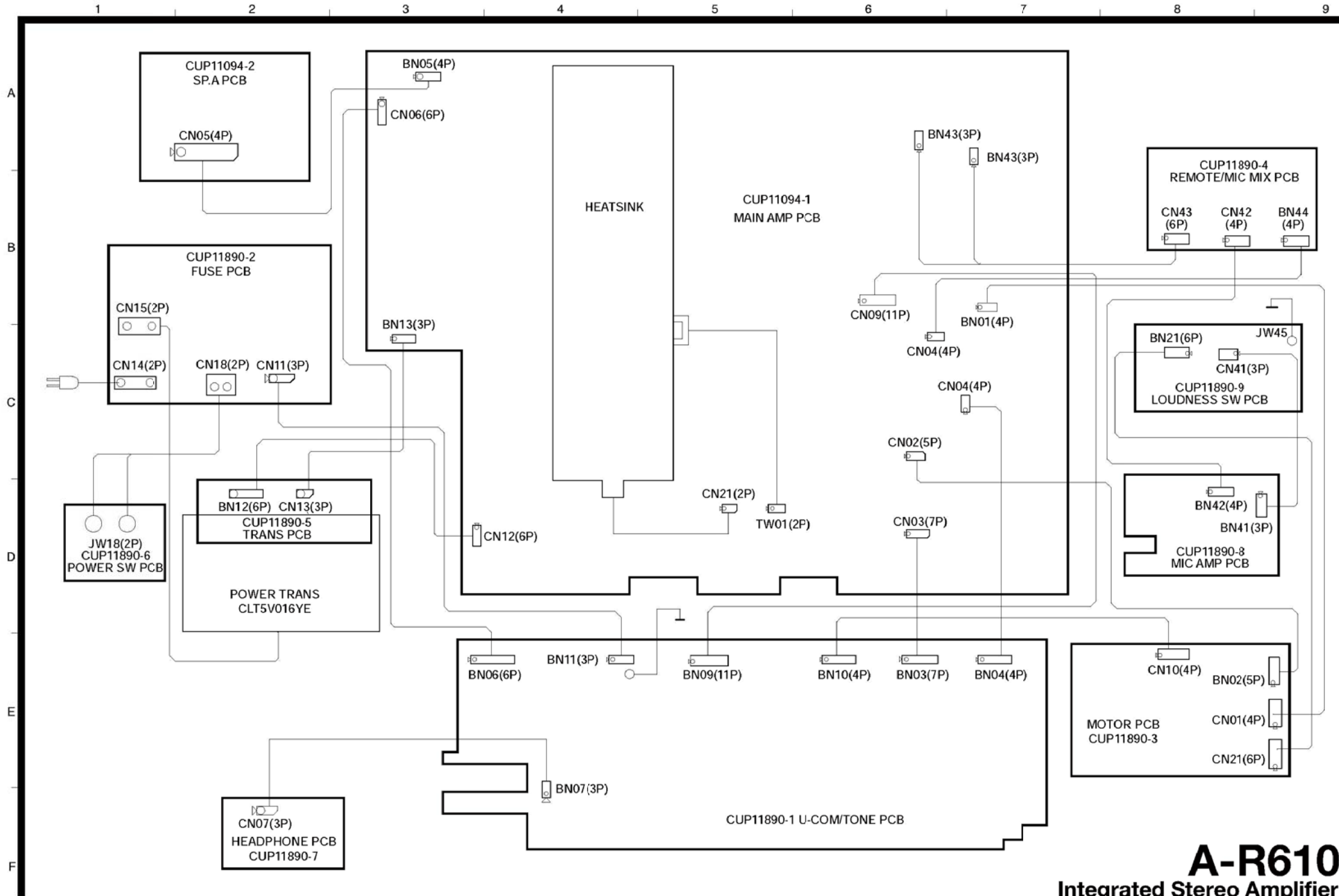
SCHEMATIC DIAGRAMS

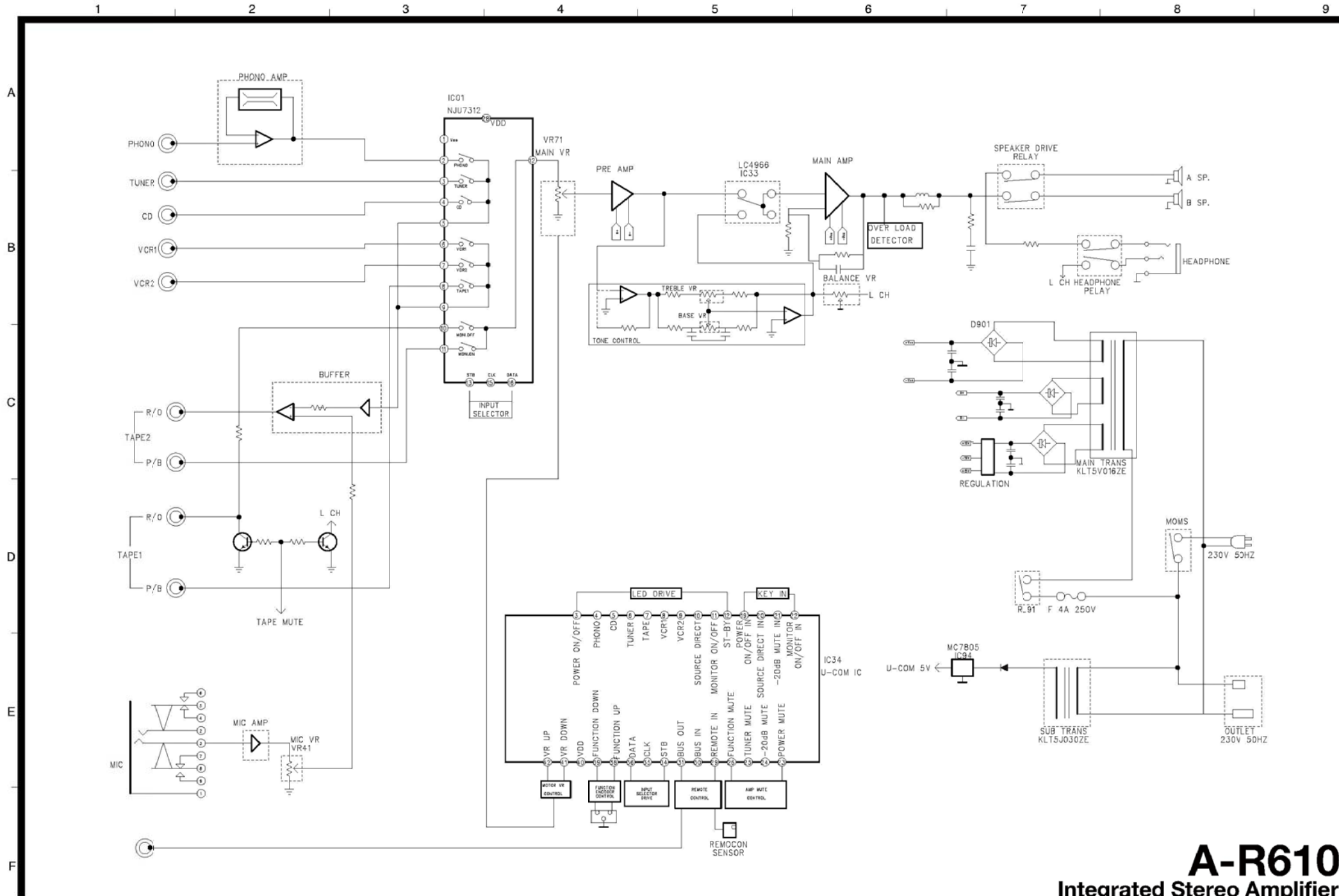
CONTENTS

| | |
|----------------------|---|
| Wiring Diagram | 2 |
| Block Diagram | 3 |
| MAIN PCB | 4 |
| SUB PCB | 5 |

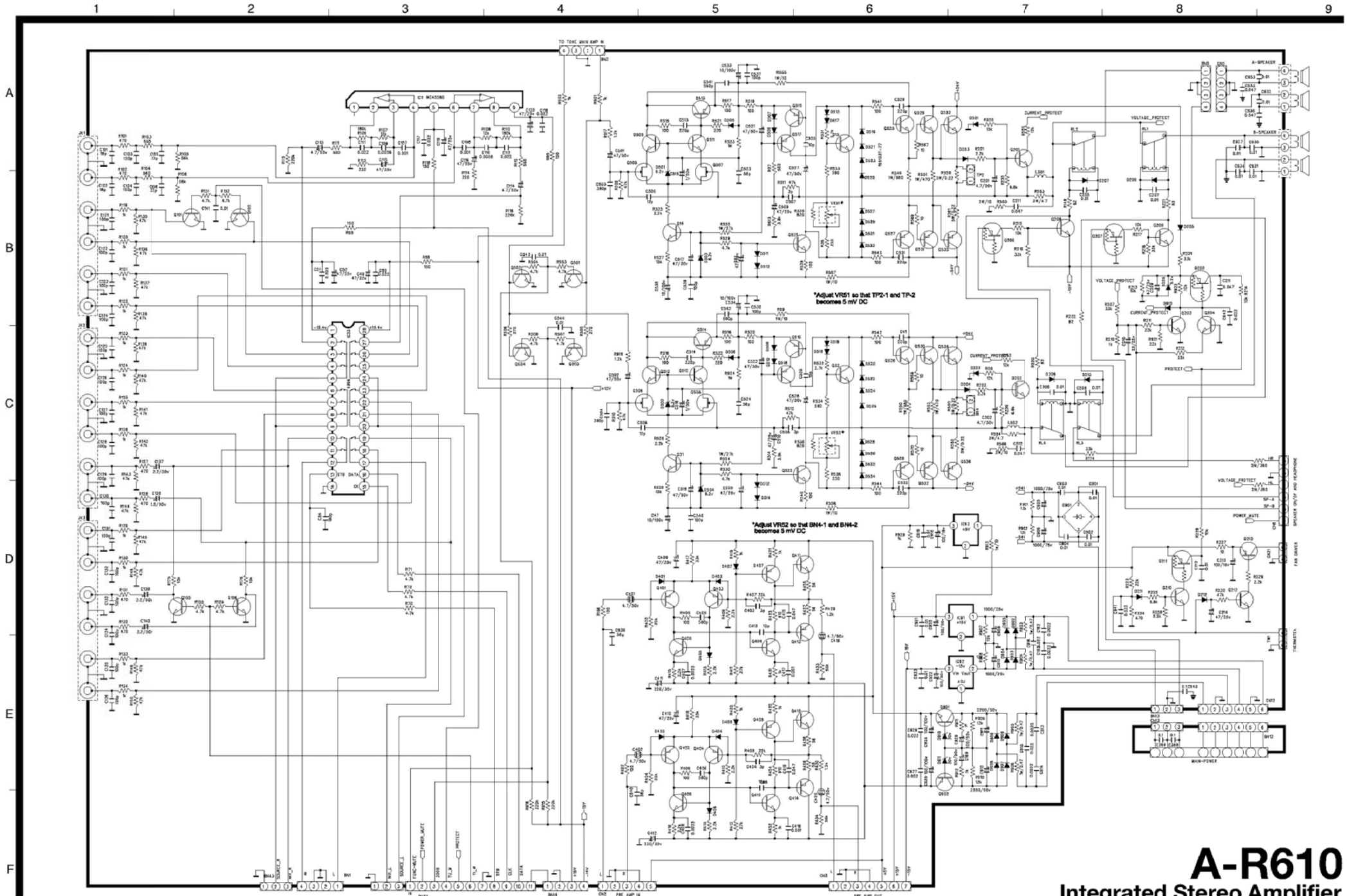
A-R610
Integrated Stereo Amplifier

1 st Issue; September 2009



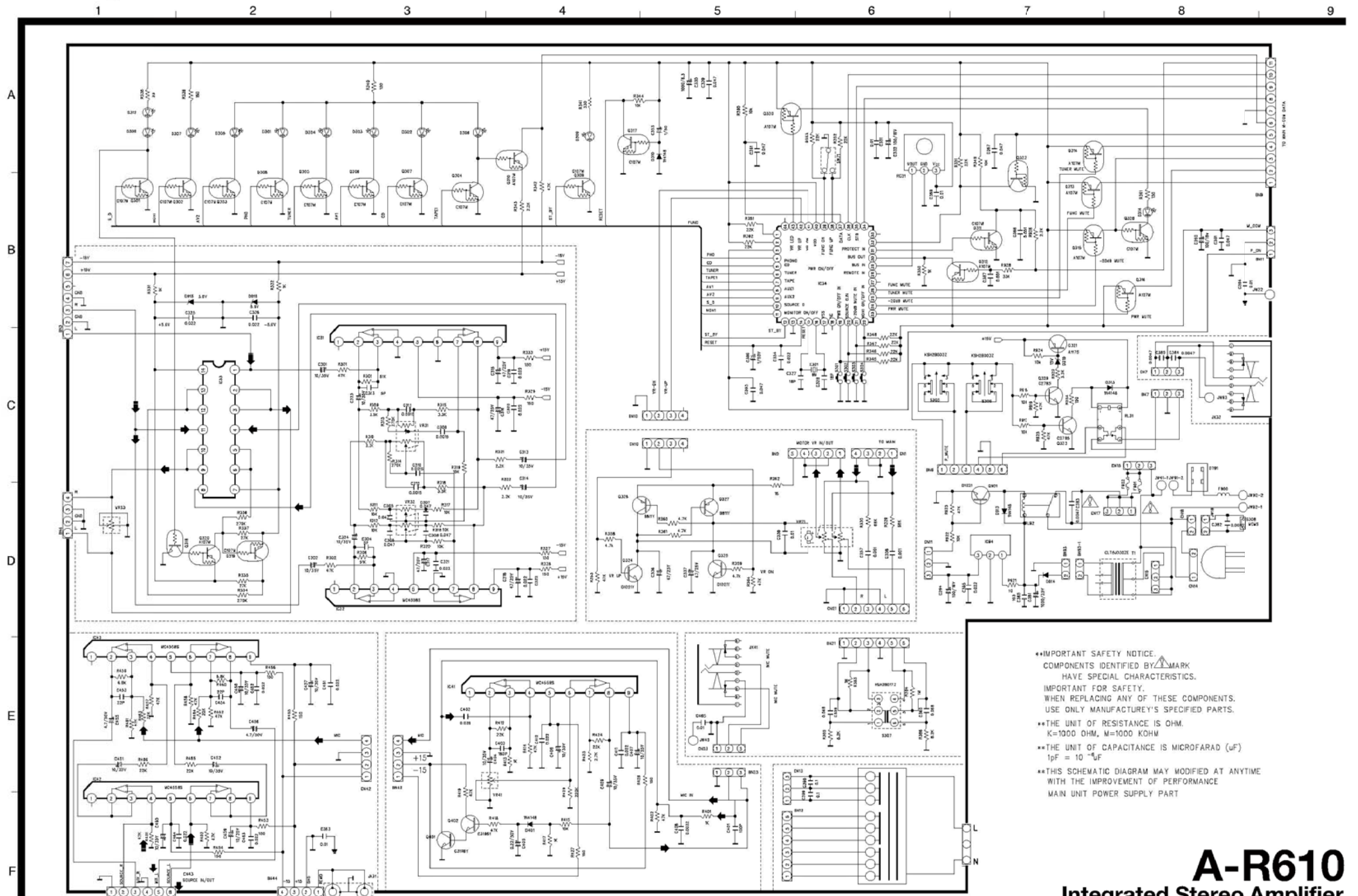


A-R610
Integrated Stereo Amplifier
 1st Issue; September 2009



A-R610

Integrated Stereo Amplifier



**IMPORTANT SAFETY NOTICE.
 COMPONENTS IDENTIFIED BY MARK
 HAVE SPECIAL CHARACTERISTICS.
 IMPORTANT FOR SAFETY.
 WHEN REPLACING ANY OF THESE COMPONENTS,
 USE ONLY MANUFACTURER'S SPECIFIED PARTS.
 **THE UNIT OF RESISTANCE IS OHM.
 K=1000 OHM, M=1000 KOHM
 **THE UNIT OF CAPACITANCE IS MICROFARAD (uF)
 1pF = 10⁻¹²F
 **THIS SCHEMATIC DIAGRAM MAY MODIFIED AT ANYTIME
 WITH THE IMPROVEMENT OF PERFORMANCE
 MAIN UNIT POWER SUPPLY PART

A-R610

Integrated Stereo Amplifier

1st Issue; September 2009

Integrated Stereo Amplifier, A-R610

| LEVEL | PART No. | DESCRIPTION | |
|-------|--------------|-----------------------------------|------------------------|
| 1 | A-R610EURSET | SET,AMPLIFIER | |
| .2 | CGWAR610EUR | FRONT PANEL ASS'Y | |
| ..3 | CBC1A095 | KNOB , LOUDNESS | |
| ..3 | CBC1A114 | KNOB , SPEAKER | |
| ..3 | CBC1A115 | KNOB , LOUDNESS(PUSH) | |
| ..3 | CBN1A079YK66 | KNOB , ROTARY | |
| ..3 | CBN2A052Y | KNOB,ROTARY | |
| ..3 | CBT1A603 | KNOB , TACT | |
| ..3 | CBT1A604 | KNOB , POWER | |
| ..3 | CBT1A605 | KNOB , DIRECT | |
| ..3 | CGB1A165H8 | BADGE , TEAC | |
| ..3 | CGL1A109 | INDICATOR , FUNCTION | |
| ..3 | CGL1A162 | INDICATOR , FUNCTION | |
| ..3 | CGR2A154 | ORNAMENT , REMOTE | |
| ..3 | CGW3A245XH10 | PANEL , FRONT(A-R610) | A-R610 |
| ..3 | CMD1A355 | BRACKET , TOP | |
| ..3 | CMD1A363 | BRACKET , POWER | |
| ..3 | CMK1A019 | BRACKET , VOLUME | |
| ..3 | CNW1A036 | WASHER | |
| ..3 | CNW1A037 | WASHER | |
| ..3 | COP11890B | SUB PCB ASS'Y | |
| ...4 | CIP11890B | SUB PCB AUTO ASS'Y | |
|5 | CUP11890Y | PCB , MAIN (A-R610 , 330*247 ,FR- | A-R610 , 330*247 ,FR-1 |
|5 | CCEA1VH100T | CAP , ELECT | 10UF 35V |
|5 | CCEA1VH100T | CAP , ELECT | 10UF 35V |
|5 | CCCT1H050CC | CAP , CERAMIC | 5PF 50V C |
|5 | CCCT1H050CC | CAP , CERAMIC | 5PF 50V C |
|5 | HCQ11H473JZT | CAP , MYLAR | 0.047UF 50V J |
|5 | HCQ11H473JZT | CAP , MYLAR | 0.047UF 50V J |
|5 | HCQ11H473JZT | CAP , MYLAR | 0.047UF 50V J |
|5 | HCQ11H473JZT | CAP , MYLAR | 0.047UF 50V J |
|5 | HCQ11H152JZT | CAP , MYLAR | 1500PF 50V J |
|5 | HCQ11H152JZT | CAP , MYLAR | 1500PF 50V J |
|5 | HCQ11H152JZT | CAP , MYLAR | 1500PF 50V J |
|5 | HCQ11H152JZT | CAP , MYLAR | 1500PF 50V J |
|5 | CCEA1VH100T | CAP , ELECT | 10UF 35V |
|5 | CCEA1VH100T | CAP , ELECT | 10UF 35V |
|5 | CCEA1EH470T | CAP , ELECT | 47UF 25V |
|5 | CCEA1EH470T | CAP , ELECT | 47UF 25V |
|5 | CCEA1EH470T | CAP , ELECT | 47UF 25V |
|5 | CCEA1EH470T | CAP , ELECT | 47UF 25V |

| | | | |
|------|--------------|----------------------------|----------------------|
| ...5 | CCBS1H223ZFT | CAP , CERAMIC(22000PF/50V) | CH UP025 F223Z-A-B J |
| ...5 | CCBS1H223ZFT | CAP , CERAMIC(22000PF/50V) | CH UP025 F223Z-A-B J |
| ...5 | CCBS1H223ZFT | CAP , CERAMIC(22000PF/50V) | CH UP025 F223Z-A-B J |
| ...5 | CCBS1H223ZFT | CAP , CERAMIC(22000PF/50V) | CH UP025 F223Z-A-B J |
| ...5 | CCEA1VH100T | CAP , ELECT | 10UF 35V |
| ...5 | CCEA1VH100T | CAP , ELECT | 10UF 35V |
| ...5 | CCBS1H223ZFT | CAP , CERAMIC(22000PF/50V) | CH UP025 F223Z-A-B J |
| ...5 | CCBS1H223ZFT | CAP , CERAMIC(22000PF/50V) | CH UP025 F223Z-A-B J |
| ...5 | CCCT1H180JC | CAP , CERAMIC | 18PF 50V J |
| ...5 | CCCT1H180JC | CAP , CERAMIC | 18PF 50V J |
| ...5 | CCBS1H473ZFT | CAP , CERAMIC(47000PF/50V) | CH UP025 F473Z-A-B J |
| ...5 | CCEA0JH102T | CAP , ELECT | 1000UF 6.3V |
| ...5 | CCEA1CH101T | CAP , ELECT | 100UF 16V |
| ...5 | CCEA1EH470T | CAP , ELECT | 47UF 25V |
| ...5 | CCEA1EH470T | CAP , ELECT | 47UF 25V |
| ...5 | HCQ1H103JZT | CAP , MYLAR | 0.01UF 50V J |
| ...5 | CCBS1H103ZFT | CAP , CERAMIC | 0.01UF 50V Z |
| ...5 | CCEA1HH1R0T | CAP , ELECT | 1UF 50V |
| ...5 | CCBS1H223ZFT | CAP , CERAMIC(22000PF/50V) | CH UP025 F223Z-A-B J |
| ...5 | CCBS1H102KBT | CAP , CERAMIC(1000PF/50V) | CH UP025 B102K-A-B Z |
| ...5 | CCBS1H102KBT | CAP , CERAMIC(1000PF/50V) | CH UP025 B102K-A-B Z |
| ...5 | HCQ1H683JZT | CAP , MYLAR | 0.068UF 50V J |
| ...5 | HCQ1H683JZT | CAP , MYLAR | 0.068UF 50V J |
| ...5 | CCBS1H473ZFT | CAP , CERAMIC(47000PF/50V) | CH UP025 F473Z-A-B J |
| ...5 | CCBS1H103ZFT | CAP , CERAMIC | 0.01UF 50V Z |
| ...5 | CCBS1H103ZFT | CAP , CERAMIC | 0.01UF 50V Z |
| ...5 | CCFT1H103ZF | CAP , CERAMIC | 0.01UF 50V Z |
| ...5 | CCBS1H473ZFT | CAP , CERAMIC(47000PF/50V) | CH UP025 F473Z-A-B J |
| ...5 | CCBS1C472MX1 | CAP , CERAMIC(4700PF/16V) | CH EP025 B472M-A-B J |
| ...5 | CCBS1C472MX1 | CAP , CERAMIC(4700PF/16V) | CH EP025 B472M-A-B J |
| ...5 | CCBS1H102KBT | CAP , CERAMIC(1000PF/50V) | CH UP025 B102K-A-B Z |
| ...5 | CCBS1H102KBT | CAP , CERAMIC(1000PF/50V) | CH UP025 B102K-A-B Z |
| ...5 | CCBS1H103ZFT | CAP , CERAMIC | 0.01UF 50V Z |
| ...5 | CCEA1CH101T | CAP , ELECT | 100UF 16V |
| ...5 | CCBS1H473ZFT | CAP , CERAMIC(47000PF/50V) | CH UP025 F473Z-A-B J |
| ...5 | CCBS1H473ZFT | CAP , CERAMIC(47000PF/50V) | CH UP025 F473Z-A-B J |
| ...5 | CCEA1CH101T | CAP , ELECT | 100UF 16V |
| ...5 | CCBS1H223ZFT | CAP , CERAMIC(22000PF/50V) | CH UP025 F223Z-A-B J |
| ...5 | CCEA1HH1R0T | CAP , ELECT | 1UF 50V |
| ...5 | HCQ1H104JZT | CAP , MYLAR | 0.1UF 50V J |
| ...5 | HCQ1H104JZT | CAP , MYLAR | 0.1UF 50V J |
| ...5 | CCBS1H101KBT | CAP , CERAMIC(100PF/50V) | CH UP025 B101K-A-B Z |
| ...5 | HCQ1H393JZT | CAP , MYLAR | 0.039UF 50V J |
| ...5 | CCBS1H181KBT | CAP , CERAMIC(180PF/50V) | CH UP025 B181K-A-B Z |
| ...5 | CCEA1VH100T | CAP , ELECT | 10UF 35V |
| ...5 | CCEA1HHR22T | CAP , ELECT | 0.22UF 50V |
| ...5 | CCEA1VH100T | CAP , ELECT | 10UF 35V |
| ...5 | CCEA1VH100T | CAP , ELECT | 10UF 35V |

| | | | |
|------|--------------|-----------------------------|-----------------|
| ...5 | HVTKRC107MT | T.R | KRC107M |
| ...5 | HVTKRA107MT | T.R | KRA107M |
| ...5 | HVTKRC107MT | T.R | KRC107M |
| ...5 | HVTKRA107MT | T.R | KRA107M |
| ...5 | HVTKRA104MT | T.R | KRA104M |
| ...5 | HVTKRA104MT | T.R | KRA104M |
| ...5 | HVTKRA104MT | T.R | KRA104M |
| ...5 | HVTKRA104MT | T.R | KRA104M |
| ...5 | HVTKRC107MT | T.R | KRC107M |
| ...5 | HVTKRC114MT | T.R | KTC114M |
| ...5 | HVTKRC107MT | T.R | KRC107M |
| ...5 | HVTKRA107MT | T.R | KRA107M |
| ...5 | HVTKTA1267YT | T.R | KTA1267Y |
| ...5 | HVTKRC107MT | T.R | KRC107M |
| ...5 | HVTKTC3199YT | T.R | KTC3199Y |
| ...5 | CVTKTC3204YT | T.R , KTC3204Y-AP/P(TO-92M) | |
| ...5 | CVTKTC3204YT | T.R , KTC3204Y-AP/P(TO-92M) | |
| ...5 | CVTKTA1272YT | T.R , KTA1272Y-AP/P(TO-92M) | |
| ...5 | CVTKTA1272YT | T.R , KTA1272Y-AP/P(TO-92M) | |
| ...5 | HVTKRC107MT | T.R | KRC107M |
| ...5 | HVTKTC3199YT | T.R | KTC3199Y |
| ...5 | HVTKRA107MT | T.R | KRA107M |
| ...5 | HVTKTC3198YT | T.R | KTC3198Y |
| ...5 | HVTKTC3198YT | T.R | KTC3198Y |
| ...5 | CVTKTC3204YT | T.R , KTC3204Y-AP/P(TO-92M) | |
| ...5 | CRD20TJ473T | RES , CARBON | 47K OHM 1/5W J |
| ...5 | CRD20TJ473T | RES , CARBON | 47K OHM 1/5W J |
| ...5 | CRD20TJ513T | RES , CARBON | |
| ...5 | CRD20TJ513T | RES , CARBON | |
| ...5 | CRD20TJ332T | RES , CARBON | 3.3K OHM 1/5W J |
| ...5 | CRD20TJ332T | RES , CARBON | 3.3K OHM 1/5W J |
| ...5 | CRD20TJ103T | RES , CARBON | 10K OHM 1/5W J |
| ...5 | CRD20TJ103T | RES , CARBON | 10K OHM 1/5W J |
| ...5 | CRD20TJ274T | RES , CARBON | |
| ...5 | CRD20TJ274T | RES , CARBON | |
| ...5 | CRD20TJ332T | RES , CARBON | 3.3K OHM 1/5W J |
| ...5 | CRD20TJ332T | RES , CARBON | 3.3K OHM 1/5W J |
| ...5 | CRD20TJ103T | RES , CARBON | 10K OHM 1/5W J |
| ...5 | CRD20TJ103T | RES , CARBON | 10K OHM 1/5W J |
| ...5 | CRD20TJ103T | RES , CARBON | 10K OHM 1/5W J |
| ...5 | CRD20TJ103T | RES , CARBON | 10K OHM 1/5W J |
| ...5 | CRD20TJ103T | RES , CARBON | 10K OHM 1/5W J |
| ...5 | CRD20TJ222T | RES , CARBON | 2.2K OHM 1/5W J |
| ...5 | CRD20TJ222T | RES , CARBON | 2.2K OHM 1/5W J |
| ...5 | CRD20TJ151T | RES , CARBON | 150 OHM 1/5W J |
| ...5 | CRD20TJ151T | RES , CARBON | 150 OHM 1/5W J |
| ...5 | CRD20TJ151T | RES , CARBON | 150 OHM 1/5W J |
| ...5 | CRD20TJ683T | RES , CARBON | 68K OHM 1/5W J |
| ...5 | CRD20TJ683T | RES , CARBON | 68K OHM 1/5W J |

| | | | |
|------|-------------|--------------|-----------------|
| ...5 | CRD20TJ102T | RES , CARBON | 1K OHM 1/5W J |
| ...5 | CRD20TJ102T | RES , CARBON | 1K OHM 1/5W J |
| ...5 | CRD20TJ151T | RES , CARBON | 150 OHM 1/5W J |
| ...5 | CRD20TJ274T | RES , CARBON | |
| ...5 | CRD20TJ273T | RES , CARBON | 27K OHM 1/5W J |
| ...5 | CRD20TJ274T | RES , CARBON | |
| ...5 | CRD20TJ273T | RES , CARBON | 27K OHM 1/5W J |
| ...5 | CRD20TJ330T | RES , CARBON | 33 OHM 1/5W J |
| ...5 | CRD20TJ181T | RES , CARBON | 180 OHM 1/5W J |
| ...5 | CRD20TJ151T | RES , CARBON | 150 OHM 1/5W J |
| ...5 | CRD20TJ331T | RES , CARBON | 330 OHM 1/5W J |
| ...5 | CRD20TJ473T | RES , CARBON | 47K OHM 1/5W J |
| ...5 | CRD20TJ222T | RES , CARBON | 2.2K OHM 1/5W J |
| ...5 | CRD20TJ103T | RES , CARBON | 10K OHM 1/5W J |
| ...5 | CRD20TJ223T | RES , CARBON | 22K OHM 1/5W J |
| ...5 | CRD20TJ223T | RES , CARBON | 22K OHM 1/5W J |
| ...5 | CRD20TJ223T | RES , CARBON | 22K OHM 1/5W J |
| ...5 | CRD20TJ223T | RES , CARBON | 22K OHM 1/5W J |
| ...5 | CRD20TJ103T | RES , CARBON | 10K OHM 1/5W J |
| ...5 | CRD20TJ102T | RES , CARBON | 1K OHM 1/5W J |
| ...5 | CRD20TJ223T | RES , CARBON | 22K OHM 1/5W J |
| ...5 | CRD20TJ223T | RES , CARBON | 22K OHM 1/5W J |
| ...5 | CRD20TJ223T | RES , CARBON | 22K OHM 1/5W J |
| ...5 | CRD20TJ151T | RES , CARBON | 150 OHM 1/5W J |
| ...5 | CRD20TJ472T | RES , CARBON | 4.7K OHM 1/5W J |
| ...5 | CRD20TJ472T | RES , CARBON | 4.7K OHM 1/5W J |
| ...5 | CRD20TJ472T | RES , CARBON | 4.7K OHM 1/5W J |
| ...5 | CRD20TJ472T | RES , CARBON | 4.7K OHM 1/5W J |
| ...5 | CRD25TJ1R0T | RES , CARBON | |
| ...5 | CRD20TJ473T | RES , CARBON | 47K OHM 1/5W J |
| ...5 | CRD20TJ473T | RES , CARBON | 47K OHM 1/5W J |
| ...5 | CRD20TJ223T | RES , CARBON | 22K OHM 1/5W J |
| ...5 | CRD20TJ223T | RES , CARBON | 22K OHM 1/5W J |
| ...5 | CRD20TJ105T | RES , CARBON | 1M OHM 1/5W J |
| ...5 | CRD20TJ105T | RES , CARBON | 1M OHM 1/5W J |
| ...5 | CRD20TJ822T | RES , CARBON | 8.2K OHM 1/5W J |
| ...5 | CRD20TJ822T | RES , CARBON | 8.2K OHM 1/5W J |
| ...5 | CRD20TJ103T | RES , CARBON | 10K OHM 1/5W J |
| ...5 | CRD20TJ151T | RES , CARBON | 150 OHM 1/5W J |
| ...5 | CRD20TJ102T | RES , CARBON | 1K OHM 1/5W J |
| ...5 | CRD20TJ473T | RES , CARBON | 47K OHM 1/5W J |
| ...5 | CRD20TJ223T | RES , CARBON | 22K OHM 1/5W J |
| ...5 | CRD20TJ102T | RES , CARBON | 1K OHM 1/5W J |
| ...5 | CRD20TJ473T | RES , CARBON | 47K OHM 1/5W J |
| ...5 | CRD20TJ103T | RES , CARBON | 10K OHM 1/5W J |
| ...5 | CRD20TJ102T | RES , CARBON | 1K OHM 1/5W J |
| ...5 | CRD20TJ473T | RES , CARBON | 47K OHM 1/5W J |
| ...5 | CRD20TJ473T | RES , CARBON | 47K OHM 1/5W J |

| | | | |
|------|--------------|-------------------------------|-----------------|
| ...5 | CRD20TJ272T | RES , CARBON | 2.7K OHM 1/5W J |
| ...5 | CRD20TJ223T | RES , CARBON | 22K OHM 1/5W J |
| ...5 | CRD20TJ151T | RES , CARBON | 150 OHM 1/5W J |
| ...5 | CRD20TJ151T | RES , CARBON | 150 OHM 1/5W J |
| ...5 | CRD20TJ224T | RES , CARBON | 220 KOHM 1/5W J |
| ...5 | CRD20TJ473T | RES , CARBON | 47K OHM 1/5W J |
| ...5 | CRD20TJ473T | RES , CARBON | 47K OHM 1/5W J |
| ...5 | CRD20TJ151T | RES , CARBON | 150 OHM 1/5W J |
| ...5 | CRD20TJ151T | RES , CARBON | 150 OHM 1/5W J |
| ...5 | CRD20TJ151T | RES , CARBON | 150 OHM 1/5W J |
| ...5 | CRD20TJ151T | RES , CARBON | 150 OHM 1/5W J |
| ...5 | CRD20TJ473T | RES , CARBON | 47K OHM 1/5W J |
| ...5 | CRD20TJ473T | RES , CARBON | 47K OHM 1/5W J |
| ...5 | CRD20TJ682T | RES , CARBON | 6.8K OHM 1/5W J |
| ...5 | CRD20TJ682T | RES , CARBON | 6.8K OHM 1/5W J |
| ...5 | CRD20TJ473T | RES , CARBON | 47K OHM 1/5W J |
| ...5 | CRD20TJ473T | RES , CARBON | 47K OHM 1/5W J |
| ...5 | CRD20TJ223T | RES , CARBON | 22K OHM 1/5W J |
| ...5 | CRD20TJ223T | RES , CARBON | 22K OHM 1/5W J |
| ...5 | CRD20TJ223T | RES , CARBON | 22K OHM 1/5W J |
| ...5 | CRD20TJ223T | RES , CARBON | 22K OHM 1/5W J |
| ...5 | CRD20TJ103T | RES , CARBON | 10K OHM 1/5W J |
| ...5 | CRD20TJ103T | RES , CARBON | 10K OHM 1/5W J |
| ...5 | CRD20TJ473T | RES , CARBON | 47K OHM 1/5W J |
| ...5 | CRD20TJ332T | RES , CARBON | 3.3K OHM 1/5W J |
| ...5 | CRD25FJ100T | RES , CARBON | 10 OHM 1/4W J |
| ...5 | CRD20TJ103T | RES , CARBON | 10K OHM 1/5W J |
| ...5 | CRD20TJ473T | RES , CARBON | 47K OHM 1/5W J |
| ...5 | CRD20TJ333T | RES , CARBON | 33K OHM 1/5W J |
| ...5 | CRD20TJ473T | RES , CARBON | 47K OHM 1/5W J |
| ...5 | CRD20TJ222T | RES , CARBON | 2.2K OHM 1/5W J |
| ...5 | CRD20TJ333T | RES , CARBON | 33K OHM 1/5W J |
| ...5 | CST1A012ZT | SW , TACT | SKHV10910G |
| ...5 | CST1A012ZT | SW , TACT | SKHV10910G |
| ...5 | CST1A012ZT | SW , TACT | SKHV10910G |
| ...5 | CST1A012ZT | SW , TACT | SKHV10910G |
| ...4 | CQB1D022 | A-ROHS/LABEL,SERIAL | |
| ...4 | C2K86002 | SOLDER , BAR SN PB FREE | HSE-16(P) B20 |
| ...4 | C2K86102 | SOLDER , FLUX WIRE PB FREE(PI | HSE-04 W1.0 |
| ...4 | C8E534 | FLUX | |
| ...4 | CMD1A387 | BRACKET , PCB | |
| ...4 | CMD1A387 | BRACKET , PCB | |
| ...4 | CMD1A387 | BRACKET , PCB | |
| ...4 | CWZAM1100BN0 | WIRE ASS'Y | |
| ...4 | CWZAR600BN0 | WIRE ASS'Y | |
| ...4 | CWZAR600EUR | WIRE ASS'Y | |
| ...4 | CWZAM1100BN0 | WIRE ASS'Y | |
| ...4 | CWZAM1100BN0 | WIRE ASS'Y | |

| | | | | |
|------|---------------|------------------------|----|-----------------|
| ...4 | CWZAM1100BN0 | WIRE ASS'Y | | |
| ...4 | CWB1B904200B | WIRE ASS'Y | | |
| ...4 | CWZAR600BN1 | WIRE ASS'Y | | |
| ...4 | CWB1D006240B | WIRE ASS'Y | | |
| ...4 | CWZAM1100BN2 | WIRE ASS'Y | | |
| ...4 | CWZAR600EUR | WIRE ASS'Y | | |
| ...4 | CWZAR600BN42 | WIRE ASS'Y | | |
| ...4 | CWB1B904150B | WIRE ASS'Y | | |
| ...4 | CWZAR600BN93 | WIRE ASS'Y | | |
| ...4 | CJP04GA01ZY | WAFER , STRAIGHT(4PIN) | | |
| ...4 | CJP03GA01ZY | WAFER | | |
| ...4 | CJP04GA01ZY | WAFER , STRAIGHT(4PIN) | | |
| ...4 | CJP03GA01ZY | WAFER | | |
| ...4 | CJP03GB03ZY | WAFER | | |
| ...4 | CJP02KA060ZY | WAFER | | |
| ...4 | CJP03KA060ZY | WAFER | | |
| ...4 | CJP02GA89ZY | WAFER | | |
| ...4 | CJP06GA01ZY | WAFER , 6PIN | | |
| ...4 | CJP03GA01ZY | WAFER | | |
| ...4 | CJP04GB03ZY | WAFER | | |
| ...4 | CJP06GB46ZY | WAFER , ANGLE(6PIN) | | |
| ...4 | CCEA1EH102E | CAP , ELECT | | 1000UF 25V |
| ...4 | HCKWKH472ME | CAP , CERAMIC(KH TYPE) | JP | DE1310-610E472M |
| ...4 | HCKWKH472ME | CAP , CERAMIC(KH TYPE) | JP | DE1310-610E472M |
| ...4 | HVIMC4558S | I.C | | |
| ...4 | HVIMC4558S | I.C | | |
| ...4 | HVICD4066BM96 | I.C , SWITCH | | |
| ...4 | HVITMP87PH47U | I.C , O.T.P | | TMP87PH47U |
| ...4 | HVIMC4558S | I.C | | |
| ...4 | HVIMC4558S | I.C | | |
| ...4 | HVIMC4558S | I.C | | |
| ...4 | HVIKIA7805API | REGULATOR, +5V | | 7805API (KEC) |
| ...4 | CJJ4N010Z | JACK , BOARD | | |
| ...4 | CJJ2E020Z | JACK | | |
| ...4 | CJJ2E020Z | JACK | | |
| ...4 | CWZAM1100JW | WIRE ASS'Y | | |
| ...4 | CWZPRO450JW | WIRE ASS'Y | | |
| ...4 | CWZAAV1100W | WIRE ASS'Y | | |
| ...4 | CWEP202110VW | WIRE | | |
| ...4 | CWEP215110VW | WIRE | | |
| ...4 | CWZAR600EUR | WIRE ASS'Y | | |
| ...4 | KJJ7A022Z | OUTLET , AC(EUR/1P) | | A302D0061P |
| ...4 | CRVKSM603TH2 | SENSOR , REMOCON | | KSM603TH2E |
| ...4 | CSL4A013ZE | RELAY | | |
| ...4 | HSL1A008ZE | RELAY | | SDT-S-112DMR |
| ...4 | CSR2A034Z | VR , ENCODER | | |
| ...4 | KSH2B003Z | SW , PUSH(VERTICAL) | CN | 220014 |
| ...4 | KSH2B003Z | SW , PUSH(VERTICAL) | CN | 220014 |

| | | | |
|-------|---------------|----------------------|--------------|
| ...4 | HSH2B017Z | SW , PUSH | SPUL19X1M071 |
| ...4 | CSH1A001ZV | SWITCH | |
| ...4 | CLT5J030YE | TRANS , SUB | |
| ...4 | CVV2X04B503Z | RES , VARIABLE TONE | |
| ...4 | CVV2X04B503Z | RES , VARIABLE TONE | |
| ...4 | CVV1U01W104Y | RES , VARIABLE | |
| ...4 | CVV1U01B503Y | RES , VARIABLE | |
| ...4 | CVV9Y12B104Z | VOLUME , MOTOR | |
| ...4 | HOX08000E1600 | CRYSTAL 8MHz | |
| ..3 | CTB3+10GR | SCREW | |
| ..3 | CTB3+8JR | SCREW | |
| ..3 | CTWS3+10GR | SCREW | |
| ..3 | CUS1A084 | SPRING , FORMING | |
| ..3 | C4FA031 | TAPE , BOTH SIDE | NITTO #500 |
| ..3 | C8AG311 | GREASE | |
| ..3 | KGX1A216VA | VOLUME CAP ASS'Y(A) | |
| ...4 | KBN1A059 | KNOB , VOLUME(A) | A4-95-2336 |
| ...4 | KGX1A216C2 | CAP , VOLUME(A) | |
| ...4 | KGX1A220VC2 | PLATE,VOLUME | |
| ..3 | KGX1A216YA | VOLUME CAP ASS'Y(A) | |
| ...4 | KBN1A104 | KNOB(A) , VOLUME | A-R600 |
| ...4 | KGX1A216C2 | CAP , VOLUME(A) | |
| ...4 | KGX1A220C2 | PLATE , VOLUME | |
| ..3 | KGX1A219C58 | HOUSING,VOLUME | |
| ..3 | KGX2A219C58 | HOUSING,VOLUME | |
| .2 | CKC3A085B25 | CABINET , TOP | |
| .2 | CTB3+8JFZR | SCREW | |
| .2 | CTB4+12JFZR | SCREW | |
| .2 | CTB4+6FFZR | SCREW | |
| .2 | CUAAR610EUR | BOTTOM CHASSIS ASS'Y | |
| ..3 | CHE170 | HOLDER , PCB | |
| ..3 | CHG1A113 | RUBBER | |
| ..3 | CHR301 | CLAMPER | |
| ..3 | CHS1A032 | TAPE , HEMELON | |
| ..3 | CJA2B044ZA | CORD , POWER | EUR 16A 250V |
| ..3 | CKF6A146U | PANEL,REAR | |
| ..3 | CKL1A012 | FOOT , RUBBER(BLACK) | |
| ..3 | CKL2A042H11 | FOOT , FRONT | |
| ..3 | CLT5V016YE | TRANS | |
| ..3 | CLZ9W003Z | FERRITE , RING | 29X7.7X19 |
| ..3 | COP11094E | MAIN PCB ASS'Y | |
| ...4 | CHG1A338 | RUBBER | |
| ...4 | CIP11094E | MAIN PCB AUTO ASS'Y | |
|5 | CUP11094P | PCB , MAIN | |
|5 | CCCT1H180JC | CAP , CERAMIC | 18PF 50V J |
|5 | CCCT1H180JC | CAP , CERAMIC | 18PF 50V J |
|5 | CCKT1H151KB | CAP , CERAMIC | 150PF 50V K |
|5 | CCKT1H151KB | CAP , CERAMIC | 150PF 50V K |

| | | | |
|-------|--------------|----------------------------|----------------------|
|5 | CCCT1H220JC | CAP , CERAMIC | 22PF 50V J |
|5 | CCCT1H220JC | CAP , CERAMIC | 22PF 50V J |
|5 | HCQ11H102JZT | CAP , MYLAR | 1000PF 50V J |
|5 | HCQ11H102JZT | CAP , MYLAR | 1000PF 50V J |
|5 | HCQ11H562JZT | CAP , MYLAR | 5600PF 50V J |
|5 | HCQ11H562JZT | CAP , MYLAR | 5600PF 50V J |
|5 | HCQ11H223JZT | CAP , MYLAR | 0.022UF 50V J |
|5 | HCQ11H223JZT | CAP , MYLAR | 0.022UF 50V J |
|5 | CCEA1HH4R7T | CAP , ELECT | 4.7UF 50V |
|5 | CCEA1HH4R7T | CAP , ELECT | 4.7UF 50V |
|5 | CCEA1EH470T | CAP , ELECT | 47UF 25V |
|5 | CCEA1EH470T | CAP , ELECT | 47UF 25V |
|5 | CCBS1H223ZFT | CAP , CERAMIC(22000PF/50V) | CH UP025 F223Z-A-B J |
|5 | CCBS1H223ZFT | CAP , CERAMIC(22000PF/50V) | CH UP025 F223Z-A-B J |
|5 | CCEA1EH470T | CAP , ELECT | 47UF 25V |
|5 | CCEA1EH470T | CAP , ELECT | 47UF 25V |
|5 | CCKT1H101KB | CAP , CERAMIC | 100PF 50V K |
|5 | CCKT1H101KB | CAP , CERAMIC | 100PF 50V K |
|5 | CCKT1H101KB | CAP , CERAMIC | 100PF 50V K |
|5 | CCKT1H101KB | CAP , CERAMIC | 100PF 50V K |
|5 | CCKT1H101KB | CAP , CERAMIC | 100PF 50V K |
|5 | CCKT1H101KB | CAP , CERAMIC | 100PF 50V K |
|5 | CCKT1H101KB | CAP , CERAMIC | 100PF 50V K |
|5 | CCKT1H101KB | CAP , CERAMIC | 100PF 50V K |
|5 | CCKT1H101KB | CAP , CERAMIC | 100PF 50V K |
|5 | CCKT1H101KB | CAP , CERAMIC | 100PF 50V K |
|5 | CCKT1H101KB | CAP , CERAMIC | 100PF 50V K |
|5 | CCKT1H101KB | CAP , CERAMIC | 100PF 50V K |
|5 | CCKT1H101KB | CAP , CERAMIC | 100PF 50V K |
|5 | CCKT1H101KB | CAP , CERAMIC | 100PF 50V K |
|5 | CCKT1H101KB | CAP , CERAMIC | 100PF 50V K |
|5 | CCKT1H101KB | CAP , CERAMIC | 100PF 50V K |
|5 | CCKT1H101KB | CAP , CERAMIC | 100PF 50V K |
|5 | CCKT1H101KB | CAP , CERAMIC | 100PF 50V K |
|5 | CCKT1H101KB | CAP , CERAMIC | 100PF 50V K |
|5 | CCKT1H101KB | CAP , CERAMIC | 100PF 50V K |
|5 | CCKT1H101KB | CAP , CERAMIC | 100PF 50V K |
|5 | CCKT1H101KB | CAP , CERAMIC | 100PF 50V K |
|5 | CCEA1HH2R2T | CAP , ELECT | 2.2UF 50V |
|5 | CCEA1HH2R2T | CAP , ELECT | 2.2UF 50V |
|5 | CCEA1HH2R2T | CAP , ELECT | 2.2UF 50V |
|5 | CCEA1HH2R2T | CAP , ELECT | 2.2UF 50V |
|5 | CCFT1H103ZF | CAP , CERAMIC | 0.01UF 50V Z |
|5 | CCBS1H223ZFT | CAP , CERAMIC(22000PF/50V) | CH UP025 F223Z-A-B J |
|5 | CCBS1H223ZFT | CAP , CERAMIC(22000PF/50V) | CH UP025 F223Z-A-B J |
|5 | CCEA1EH470T | CAP , ELECT | 47UF 25V |
|5 | CCEA1EH470T | CAP , ELECT | 47UF 25V |
|5 | CCKT1H181KB | CAP , CERAMIC | 180PF 50V K |
|5 | CCEA1HH4R7T | CAP , ELECT | 4.7UF 50V |
|5 | CCEA1HH4R7T | CAP , ELECT | 4.7UF 50V |
|5 | CCBS1H103ZFT | CAP , CERAMIC | 0.01UF 50V Z |
|5 | CCBS1H103ZFT | CAP , CERAMIC | 0.01UF 50V Z |
|5 | CCBS1H103ZFT | CAP , CERAMIC | 0.01UF 50V Z |
|5 | CCBS1H103ZFT | CAP , CERAMIC | 0.01UF 50V Z |

| | | | |
|------|--------------|--------------------------|----------------------|
| ...5 | CCEA1EH470T | CAP , ELECT | 47UF 25V |
| ...5 | CCEA1AH471T | CAP , ELECT | 470UF 10V |
| ...5 | CCFT1H473ZF | CAP , CERAMIC | 0.047UF 50V Z |
| ...5 | CCFT1H103ZF | CAP , CERAMIC | 0.01UF 50V Z |
| ...5 | CCEA1CH101T | CAP , ELECT | 100UF 16V |
| ...5 | CCEA1EH470T | CAP , ELECT | 47UF 25V |
| ...5 | CCEA1HH4R7T | CAP , ELECT | 4.7UF 50V |
| ...5 | CCEA1HH4R7T | CAP , ELECT | 4.7UF 50V |
| ...5 | CCCT1H030CC | CAP , CERAMIC | 3PF 50V C |
| ...5 | CCCT1H030CC | CAP , CERAMIC | 3PF 50V C |
| ...5 | CCKT1H561KB | CAP , CERAMIC | 560PF 50V K |
| ...5 | CCKT1H561KB | CAP , CERAMIC | 560PF 50V K |
| ...5 | HCQI1H332JZT | CAP , MYLAR | 3300PF 50V J |
| ...5 | HCQI1H332JZT | CAP , MYLAR | 3300PF 50V J |
| ...5 | CCEA1HH221T | CAP , ELECT | 220UF 50V |
| ...5 | CCEA1HH221T | CAP , ELECT | 220UF 50V |
| ...5 | CCEA1HH221T | CAP , ELECT | 220UF 50V |
| ...5 | CCEA1HH221T | CAP , ELECT | 220UF 50V |
| ...5 | CCCT1H120JC | CAP , CERAMIC | 12PF 50V J |
| ...5 | CCCT1H120JC | CAP , CERAMIC | 12PF 50V J |
| ...5 | HCQI1H473JZT | CAP , MYLAR | 0.047UF 50V J |
| ...5 | HCQI1H473JZT | CAP , MYLAR | 0.047UF 50V J |
| ...5 | HCQI1H102JZT | CAP , MYLAR | 1000PF 50V J |
| ...5 | HCQI1H102JZT | CAP , MYLAR | 1000PF 50V J |
| ...5 | CCEA1HH4R7T | CAP , ELECT | 4.7UF 50V |
| ...5 | CCEA1HH4R7T | CAP , ELECT | 4.7UF 50V |
| ...5 | CCEA1HH4R7T | CAP , ELECT | 4.7UF 50V |
| ...5 | CCEA1HH4R7T | CAP , ELECT | 4.7UF 50V |
| ...5 | CCBS1H391KBT | CAP , CERAMIC(390PF/50V) | CH UP025 B391K-A-B Z |
| ...5 | CCBS1H391KBT | CAP , CERAMIC(390PF/50V) | CH UP025 B391K-A-B Z |
| ...5 | CCCT1H120JC | CAP , CERAMIC | 12PF 50V J |
| ...5 | CCCT1H120JC | CAP , CERAMIC | 12PF 50V J |
| ...5 | CCCT1H030CC | CAP , CERAMIC | 3PF 50V C |
| ...5 | CCCT1H030CC | CAP , CERAMIC | 3PF 50V C |
| ...5 | CCEA1EH470T | CAP , ELECT | 47UF 25V |
| ...5 | CCEA1EH470T | CAP , ELECT | 47UF 25V |
| ...5 | HCQI1H473JZT | CAP , MYLAR | 0.047UF 50V J |
| ...5 | HCQI1H473JZT | CAP , MYLAR | 0.047UF 50V J |
| ...5 | CCKT1H221KB | CAP , CERAMIC | 220PF 50V K |
| ...5 | CCKT1H221KB | CAP , CERAMIC | 220PF 50V K |
| ...5 | CCEA1HH1R0T | CAP , ELECT | 1UF 50V |
| ...5 | CCEA1HH1R0T | CAP , ELECT | 1UF 50V |
| ...5 | CCEA1HH470T | CAP , ELECT | 47UF 50V |
| ...5 | CCEA1HH470T | CAP , ELECT | 47UF 50V |
| ...5 | CCEA1EH470T | CAP , ELECT | 47UF 25V |
| ...5 | CCEA1EH470T | CAP , ELECT | 47UF 25V |
| ...5 | CCEA1HH470T | CAP , ELECT | 47UF 50V |
| ...5 | CCEA1HH470T | CAP , ELECT | 47UF 50V |

| | | | |
|------|--------------|---------------|---------------|
| ...5 | CCCT1H560JC | CAP , CERAMIC | 56PF 50V J |
| ...5 | CCCT1H560JC | CAP , CERAMIC | 56PF 50V J |
| ...5 | CCCT1H100DC | CAP , CERAMIC | 10PF 50V D |
| ...5 | CCCT1H100DC | CAP , CERAMIC | 10PF 50V D |
| ...5 | CCEA1HH470T | CAP , ELECT | 47UF 50V |
| ...5 | CCEA1HH470T | CAP , ELECT | 47UF 50V |
| ...5 | CCCT1H220JC | CAP , CERAMIC | 22PF 50V J |
| ...5 | CCCT1H220JC | CAP , CERAMIC | 22PF 50V J |
| ...5 | CCCT1H220JC | CAP , CERAMIC | 22PF 50V J |
| ...5 | CCCT1H220JC | CAP , CERAMIC | 22PF 50V J |
| ...5 | HCEA2AU100T | CAP , ELECT | |
| ...5 | HCEA2AU100T | CAP , ELECT | |
| ...5 | HCEA2AU100T | CAP , ELECT | |
| ...5 | HCEA2AU100T | CAP , ELECT | |
| ...5 | CCKT1H101KB | CAP , CERAMIC | 100PF 50V K |
| ...5 | CCKT1H101KB | CAP , CERAMIC | 100PF 50V K |
| ...5 | CCKT1H101KB | CAP , CERAMIC | 100PF 50V K |
| ...5 | CCKT1H101KB | CAP , CERAMIC | 100PF 50V K |
| ...5 | CCKT1H561KB | CAP , CERAMIC | 560PF 50V K |
| ...5 | CCKT1H561KB | CAP , CERAMIC | 560PF 50V K |
| ...5 | CCBS1H103ZFT | CAP , CERAMIC | 0.01UF 50V Z |
| ...5 | CCBS1H103ZFT | CAP , CERAMIC | 0.01UF 50V Z |
| ...5 | HCQI1H222JZT | CAP , MYLAR | 2200PF 50V J |
| ...5 | HCQI1H222JZT | CAP , MYLAR | 2200PF 50V J |
| ...5 | HCQI1H222JZT | CAP , MYLAR | 2200PF 50V J |
| ...5 | HCQI1H222JZT | CAP , MYLAR | 2200PF 50V J |
| ...5 | HCQI1H223JZT | CAP , MYLAR | 0.022UF 50V J |
| ...5 | HCQI1H223JZT | CAP , MYLAR | 0.022UF 50V J |
| ...5 | CCEA1CH101T | CAP , ELECT | 100UF 16V |
| ...5 | CCFT1H103ZF | CAP , CERAMIC | 0.01UF 50V Z |
| ...5 | CCEA1VH101T | CAP , ELECT | 100UF 35V |
| ...5 | CCFT1H103ZF | CAP , CERAMIC | 0.01UF 50V Z |
| ...5 | CCEA1VH101T | CAP , ELECT | 100UF 35V |
| ...5 | CCFT1H103ZF | CAP , CERAMIC | 0.01UF 50V Z |
| ...5 | CCEA1HH101T | CAP , ELECT | 100UF 50V |
| ...5 | CCEA1HH101T | CAP , ELECT | 100UF 50V |
| ...5 | CCFT1H223ZF | CAP , CERAMIC | 0.022UF 50V Z |
| ...5 | CCFT1H223ZF | CAP , CERAMIC | 0.022UF 50V Z |
| ...5 | CCEA1HH101T | CAP , ELECT | 100UF 50V |
| ...5 | CCEA1HH101T | CAP , ELECT | 100UF 50V |
| ...5 | HCQI1H103JZT | CAP , MYLAR | 0.01UF 50V J |
| ...5 | HCQI1H103JZT | CAP , MYLAR | 0.01UF 50V J |
| ...5 | HCQI1H103JZT | CAP , MYLAR | 0.01UF 50V J |
| ...5 | HCQI1H103JZT | CAP , MYLAR | 0.01UF 50V J |
| ...5 | HCQI1H473JZT | CAP , MYLAR | 0.047UF 50V J |
| ...5 | HCQI1H473JZT | CAP , MYLAR | 0.047UF 50V J |
| ...5 | HCQI1H102JZT | CAP , MYLAR | 1000PF 50V J |
| ...5 | HCQI1H102JZT | CAP , MYLAR | 1000PF 50V J |

| | | | |
|------|--------------|-----------------------------|------------|
| ...5 | CVD1SS133MT | DIODE | 1SS133 |
| ...5 | CVD1SS133MT | DIODE | 1SS133 |
| ...5 | CVD1SS133MT | DIODE | 1SS133 |
| ...5 | CVD1SS133MT | DIODE | 1SS133 |
| ...5 | CVD1SS133MT | DIODE | 1SS133 |
| ...5 | CVD1SS133MT | DIODE | 1SS133 |
| ...5 | CVD1SS133MT | DIODE | 1SS133 |
| ...5 | CVD1SS133MT | DIODE | 1SS133 |
| ...5 | CVD1SS133MT | DIODE | 1SS133 |
| ...5 | CVD1SS133MT | DIODE | 1SS133 |
| ...5 | CVD1N4003ST | DIODE , RECT | 1N4003 |
| ...5 | CVD1N4003ST | DIODE , RECT | 1N4003 |
| ...5 | CVD1N4003ST | DIODE , RECT | 1N4003 |
| ...5 | CVD1N4003ST | DIODE , RECT | 1N4003 |
| ...5 | CVD1N4003ST | DIODE , RECT | 1N4003 |
| ...5 | CVD1N4003ST | DIODE , RECT | 1N4003 |
| ...5 | CVD1N4003ST | DIODE , RECT | 1N4003 |
| ...5 | CVD1N4003ST | DIODE , RECT | 1N4003 |
| ...5 | CVDZJ30BT | DIODE , ZENER | ZJ30B 1/2W |
| ...5 | CVDZJ30BT | DIODE , ZENER | ZJ30B 1/2W |
| ...5 | CVD1SS133MT | DIODE | 1SS133 |
| ...5 | HVTKTC2874BT | T.R , MUTE | KTC2874B |
| ...5 | HVTKTC2874BT | T.R , MUTE | KTC2874B |
| ...5 | HVTKTC2874BT | T.R , MUTE | KTC2874B |
| ...5 | HVTKTC2874BT | T.R , MUTE | KTC2874B |
| ...5 | HVTKTC3198YT | T.R | KTC3198Y |
| ...5 | HVTKTC3198YT | T.R | KTC3198Y |
| ...5 | HVTKTC3198YT | T.R | KTC3198Y |
| ...5 | HVTKTC3198YT | T.R | KTC3198Y |
| ...5 | HVTKRA107MT | T.R | KRA107M |
| ...5 | HVTKRA107MT | T.R | KRA107M |
| ...5 | HVTKRA107MT | T.R | KRA107M |
| ...5 | HVTKTC3203YT | T.R | KTC3203Y |
| ...5 | HVTKTC3203YT | T.R | KTC3203Y |
| ...5 | HVTKTC3198YT | T.R | KTC3198Y |
| ...5 | HVTKRA107MT | T.R | KRA107M |
| ...5 | HVTKTC3198YT | T.R | KTC3198Y |
| ...5 | CVTKTA1272YT | T.R , KTA1272Y-AP/P(TO-92M) | |
| ...5 | HVTKTA1268GR | T.R | KTA1268GR |
| ...5 | HVTKTA1268GR | T.R | KTA1268GR |
| ...5 | HVTKTA1268GR | T.R | KTA1268GR |
| ...5 | HVTKTA1268GR | T.R | KTA1268GR |
| ...5 | HVTKTC3200GR | T.R | KTC3200GR |
| ...5 | HVTKTC3200GR | T.R | KTC3200GR |
| ...5 | HVTKTA1266YT | T.R | TKTA1266YT |
| ...5 | HVTKTA1266YT | T.R | TKTA1266YT |
| ...5 | HVTKTC3198YT | T.R | KTC3198Y |

| | | | |
|------|--------------|--------------|-----------------|
| ...5 | HVTKTC3198YT | T.R | KTC3198Y |
| ...5 | HVTKTC2874BT | T.R , MUTE | KTC2874B |
| ...5 | HVTKTC2874BT | T.R , MUTE | KTC2874B |
| ...5 | HVTKTC2874BT | T.R , MUTE | KTC2874B |
| ...5 | HVTKTC2874BT | T.R , MUTE | KTC2874B |
| ...5 | HVT2SK117-BL | F.E.T | |
| ...5 | HVT2SK117-BL | F.E.T | |
| ...5 | HVT2SK117-BL | F.E.T | |
| ...5 | HVT2SK117-BL | F.E.T | |
| ...5 | CVTKTC1027YT | T.R | |
| ...5 | HVTKSA916YT | T.R | |
| ...5 | CRD20TJ471T | RES , CARBON | 470 OHM 1/5W J |
| ...5 | CRD20TJ471T | RES , CARBON | 470 OHM 1/5W J |
| ...5 | CRD20TJ561T | RES , CARBON | 560 OHM 1/5W J |
| ...5 | CRD20TJ561T | RES , CARBON | 560 OHM 1/5W J |
| ...5 | CRD20TJ563T | RES , CARBON | 56K OHM 1/5W J |
| ...5 | CRD20TJ563T | RES , CARBON | 56K OHM 1/5W J |
| ...5 | CRD20TJ123T | RES , CARBON | 12K OHM 1/5W J |
| ...5 | CRD20TJ123T | RES , CARBON | 12K OHM 1/5W J |
| ...5 | CRD20TJ184T | RES , CARBON | |
| ...5 | CRD20TJ184T | RES , CARBON | |
| ...5 | CRD20TJ561T | RES , CARBON | 560 OHM 1/5W J |
| ...5 | CRD20TJ561T | RES , CARBON | 560 OHM 1/5W J |
| ...5 | CRD20TJ221T | RES , CARBON | 220 OHM 1/5W J |
| ...5 | CRD20TJ221T | RES , CARBON | 220 OHM 1/5W J |
| ...5 | CRD20TJ224T | RES , CARBON | 220 KOHM 1/5W J |
| ...5 | CRD20TJ224T | RES , CARBON | 220 KOHM 1/5W J |
| ...5 | CRD25TJ151T | RES , CARBON | 150 OHM 1/4W J |
| ...5 | CRD25TJ151T | RES , CARBON | 150 OHM 1/4W J |
| ...5 | CRD20TJ102T | RES , CARBON | 1K OHM 1/5W J |
| ...5 | CRD20TJ102T | RES , CARBON | 1K OHM 1/5W J |
| ...5 | CRD20TJ102T | RES , CARBON | 1K OHM 1/5W J |
| ...5 | CRD20TJ102T | RES , CARBON | 1K OHM 1/5W J |
| ...5 | CRD20TJ102T | RES , CARBON | 1K OHM 1/5W J |
| ...5 | CRD20TJ102T | RES , CARBON | 1K OHM 1/5W J |
| ...5 | CRD20TJ102T | RES , CARBON | 1K OHM 1/5W J |
| ...5 | CRD20TJ102T | RES , CARBON | 1K OHM 1/5W J |
| ...5 | CRD20TJ471T | RES , CARBON | 470 OHM 1/5W J |
| ...5 | CRD20TJ471T | RES , CARBON | 470 OHM 1/5W J |
| ...5 | CRD20TJ102T | RES , CARBON | 1K OHM 1/5W J |
| ...5 | CRD20TJ102T | RES , CARBON | 1K OHM 1/5W J |
| ...5 | CRD20TJ471T | RES , CARBON | 470 OHM 1/5W J |
| ...5 | CRD20TJ471T | RES , CARBON | 470 OHM 1/5W J |
| ...5 | CRD20TJ102T | RES , CARBON | 1K OHM 1/5W J |
| ...5 | CRD20TJ102T | RES , CARBON | 1K OHM 1/5W J |
| ...5 | CRD20TJ473T | RES , CARBON | 47K OHM 1/5W J |
| ...5 | CRD20TJ473T | RES , CARBON | 47K OHM 1/5W J |
| ...5 | CRD20TJ473T | RES , CARBON | 47K OHM 1/5W J |

| | | | |
|------|-------------|--------------|-----------------|
| ...5 | CRD20TJ473T | RES , CARBON | 47K OHM 1/5W J |
| ...5 | CRD20TJ473T | RES , CARBON | 47K OHM 1/5W J |
| ...5 | CRD20TJ473T | RES , CARBON | 47K OHM 1/5W J |
| ...5 | CRD20TJ473T | RES , CARBON | 47K OHM 1/5W J |
| ...5 | CRD20TJ473T | RES , CARBON | 47K OHM 1/5W J |
| ...5 | CRD20TJ473T | RES , CARBON | 47K OHM 1/5W J |
| ...5 | CRD20TJ473T | RES , CARBON | 47K OHM 1/5W J |
| ...5 | CRD20TJ473T | RES , CARBON | 47K OHM 1/5W J |
| ...5 | CRD20TJ473T | RES , CARBON | 47K OHM 1/5W J |
| ...5 | CRD20TJ473T | RES , CARBON | 47K OHM 1/5W J |
| ...5 | CRD20TJ472T | RES , CARBON | 4.7K OHM 1/5W J |
| ...5 | CRD20TJ472T | RES , CARBON | 4.7K OHM 1/5W J |
| ...5 | CRD20TJ472T | RES , CARBON | 4.7K OHM 1/5W J |
| ...5 | CRD20TJ472T | RES , CARBON | 4.7K OHM 1/5W J |
| ...5 | CRD20TJ151T | RES , CARBON | 150 OHM 1/5W J |
| ...5 | CRD20TJ151T | RES , CARBON | 150 OHM 1/5W J |
| ...5 | CRD20TJ472T | RES , CARBON | 4.7K OHM 1/5W J |
| ...5 | CRD20TJ472T | RES , CARBON | 4.7K OHM 1/5W J |
| ...5 | CRD20TJ472T | RES , CARBON | 4.7K OHM 1/5W J |
| ...5 | CRD20TJ103T | RES , CARBON | 10K OHM 1/5W J |
| ...5 | CRD25TJ103T | RES , CARBON | |
| ...5 | CRD20TJ222T | RES , CARBON | 2.2K OHM 1/5W J |
| ...5 | CRD20TJ222T | RES , CARBON | 2.2K OHM 1/5W J |
| ...5 | CRD20TJ153T | RES , CARBON | 15K OHM 1/5W J |
| ...5 | CRD20TJ153T | RES , CARBON | 15K OHM 1/5W J |
| ...5 | CRD20TJ123T | RES , CARBON | 12K OHM 1/5W J |
| ...5 | CRD20TJ123T | RES , CARBON | 12K OHM 1/5W J |
| ...5 | CRD20TJ333T | RES , CARBON | 33K OHM 1/5W J |
| ...5 | CRD20TJ333T | RES , CARBON | 33K OHM 1/5W J |
| ...5 | CRD25TJ333T | RES , CARBON | |
| ...5 | CRD20TJ183T | RES , CARBON | 18K OHM 1/5W J |
| ...5 | CRD20TJ183T | RES , CARBON | 18K OHM 1/5W J |
| ...5 | CRD20TJ101T | RES , CARBON | 100 OHM 1/5W J |
| ...5 | CRD25TJ103T | RES , CARBON | |
| ...5 | CRD20TJ103T | RES , CARBON | 10K OHM 1/5W J |
| ...5 | CRD20TJ103T | RES , CARBON | 10K OHM 1/5W J |
| ...5 | CRD20TJ333T | RES , CARBON | 33K OHM 1/5W J |
| ...5 | CRD20TJ103T | RES , CARBON | 10K OHM 1/5W J |
| ...5 | CRD20TJ333T | RES , CARBON | 33K OHM 1/5W J |
| ...5 | CRD20TJ820T | RES , CARBON | 82 OHM 1/5W J |
| ...5 | CRD20TJ820T | RES , CARBON | 82 OHM 1/5W J |
| ...5 | CRD20TJ820T | RES , CARBON | 82 OHM 1/5W J |
| ...5 | CRD20TJ820T | RES , CARBON | 82 OHM 1/5W J |
| ...5 | CRD20TJ223T | RES , CARBON | 22K OHM 1/5W J |
| ...5 | CRD20TJ471T | RES , CARBON | 470 OHM 1/5W J |
| ...5 | CRD20TJ682T | RES , CARBON | 6.8K OHM 1/5W J |
| ...5 | CRD20TJ222T | RES , CARBON | 2.2K OHM 1/5W J |

| | | | |
|------|-------------|--------------|-----------------|
| ...5 | CRD20TJ100T | RES , CARBON | 10 OHM 1/5W J |
| ...5 | CRD20TJ103T | RES , CARBON | 10K OHM 1/5W J |
| ...5 | CRD20TJ222T | RES , CARBON | 2.2K OHM 1/5W J |
| ...5 | CRD20TJ473T | RES , CARBON | 47K OHM 1/5W J |
| ...5 | CRD20TJ682T | RES , CARBON | 6.8K OHM 1/5W J |
| ...5 | CRD20TJ682T | RES , CARBON | 6.8K OHM 1/5W J |
| ...5 | CRD20TJ121T | RES , CARBON | 120 OHM 1/5W J |
| ...5 | CRD20TJ121T | RES , CARBON | 120 OHM 1/5W J |
| ...5 | CRD20TJ223T | RES , CARBON | 22K OHM 1/5W J |
| ...5 | CRD20TJ223T | RES , CARBON | 22K OHM 1/5W J |
| ...5 | CRD20TJ101T | RES , CARBON | 100 OHM 1/5W J |
| ...5 | CRD20TJ101T | RES , CARBON | 100 OHM 1/5W J |
| ...5 | CRD20TJ223T | RES , CARBON | 22K OHM 1/5W J |
| ...5 | CRD20TJ223T | RES , CARBON | 22K OHM 1/5W J |
| ...5 | CRD20TJ222T | RES , CARBON | 2.2K OHM 1/5W J |
| ...5 | CRD20TJ222T | RES , CARBON | 2.2K OHM 1/5W J |
| ...5 | CRD20TJ273T | RES , CARBON | 27K OHM 1/5W J |
| ...5 | CRD20TJ273T | RES , CARBON | 27K OHM 1/5W J |
| ...5 | CRD20TJ222T | RES , CARBON | 2.2K OHM 1/5W J |
| ...5 | CRD20TJ222T | RES , CARBON | 2.2K OHM 1/5W J |
| ...5 | CRD20TJ222T | RES , CARBON | 2.2K OHM 1/5W J |
| ...5 | CRD20TJ222T | RES , CARBON | 2.2K OHM 1/5W J |
| ...5 | CRD20TJ333T | RES , CARBON | 33K OHM 1/5W J |
| ...5 | CRD20TJ333T | RES , CARBON | 33K OHM 1/5W J |
| ...5 | CRD20TJ102T | RES , CARBON | 1K OHM 1/5W J |
| ...5 | CRD20TJ102T | RES , CARBON | 1K OHM 1/5W J |
| ...5 | CRD20TJ102T | RES , CARBON | 1K OHM 1/5W J |
| ...5 | CRD20TJ102T | RES , CARBON | 1K OHM 1/5W J |
| ...5 | CRD20TJ911T | RES , CARBON | 910 OHM 1/5W J |
| ...5 | CRD20TJ911T | RES , CARBON | 910 OHM 1/5W J |
| ...5 | CRD25TJ560T | RES , CARBON | |
| ...5 | CRD25TJ560T | RES , CARBON | |
| ...5 | CRD25TJ560T | RES , CARBON | |
| ...5 | CRD25TJ560T | RES , CARBON | |
| ...5 | CRD20TJ122T | RES , CARBON | 1.2K OHM 1/5W J |
| ...5 | CRD20TJ122T | RES , CARBON | 1.2K OHM 1/5W J |
| ...5 | CRD20TJ102T | RES , CARBON | 1K OHM 1/5W J |
| ...5 | CRD20TJ102T | RES , CARBON | 1K OHM 1/5W J |
| ...5 | CRD20TJ563T | RES , CARBON | 56K OHM 1/5W J |
| ...5 | CRD20TJ563T | RES , CARBON | 56K OHM 1/5W J |
| ...5 | CRD20TJ102T | RES , CARBON | 1K OHM 1/5W J |
| ...5 | CRD20TJ102T | RES , CARBON | 1K OHM 1/5W J |
| ...5 | CRD20TJ472T | RES , CARBON | 4.7K OHM 1/5W J |
| ...5 | CRD20TJ472T | RES , CARBON | 4.7K OHM 1/5W J |
| ...5 | CRD20TJ271T | RES , CARBON | 270 OHM 1/5W J |
| ...5 | CRD20TJ271T | RES , CARBON | 270 OHM 1/5W J |
| ...5 | CRD20TJ472T | RES , CARBON | 4.7K OHM 1/5W J |
| ...5 | CRD20TJ472T | RES , CARBON | 4.7K OHM 1/5W J |

| | | | |
|-------|-------------|--------------|-----------------|
|5 | CRD20TJ473T | RES , CARBON | 47K OHM 1/5W J |
|5 | CRD20TJ473T | RES , CARBON | 47K OHM 1/5W J |
|5 | CRD20TJ473T | RES , CARBON | 47K OHM 1/5W J |
|5 | CRD20TJ473T | RES , CARBON | 47K OHM 1/5W J |
|5 | CRD20TJ392T | RES , CARBON | 3.9K OHM 1/5W J |
|5 | CRD20TJ392T | RES , CARBON | 3.9K OHM 1/5W J |
|5 | CRD20TJ101T | RES , CARBON | 100 OHM 1/5W J |
|5 | CRD20TJ101T | RES , CARBON | 100 OHM 1/5W J |
|5 | CRD25TJ101T | RES , CARBON | |
|5 | CRD20TJ101T | RES , CARBON | 100 OHM 1/5W J |
|5 | CRD25TJ101T | RES , CARBON | |
|5 | CRD25TJ101T | RES , CARBON | |
|5 | CRD20TJ221T | RES , CARBON | 220 OHM 1/5W J |
|5 | CRD20TJ221T | RES , CARBON | 220 OHM 1/5W J |
|5 | CRD20TJ105T | RES , CARBON | 1M OHM 1/5W J |
|5 | CRD20TJ105T | RES , CARBON | 1M OHM 1/5W J |
|5 | CRD20TJ222T | RES , CARBON | 2.2K OHM 1/5W J |
|5 | CRD20TJ222T | RES , CARBON | 2.2K OHM 1/5W J |
|5 | CRD20TJ153T | RES , CARBON | 15K OHM 1/5W J |
|5 | CRD20TJ153T | RES , CARBON | 15K OHM 1/5W J |
|5 | CRD20TJ472T | RES , CARBON | 4.7K OHM 1/5W J |
|5 | CRD20TJ472T | RES , CARBON | 4.7K OHM 1/5W J |
|5 | CRD20TJ272T | RES , CARBON | 2.7K OHM 1/5W J |
|5 | CRD20TJ272T | RES , CARBON | 2.7K OHM 1/5W J |
|5 | CRD20TJ471T | RES , CARBON | 470 OHM 1/5W J |
|5 | CRD20TJ471T | RES , CARBON | 470 OHM 1/5W J |
|5 | CRD20TJ821T | RES , CARBON | 820 OHM 1/5W J |
|5 | CRD20TJ821T | RES , CARBON | 820 OHM 1/5W J |
|5 | CRD20TJ361T | RES , CARBON | 360 OHM 1/5W J |
|5 | CRD20TJ361T | RES , CARBON | 360 OHM 1/5W J |
|5 | CRD25FJ101T | RES , CARBON | 100 OHM 1/4W J |
|5 | CRD25FJ101T | RES , CARBON | 100 OHM 1/4W J |
|5 | CRD25FJ101T | RES , CARBON | 100 OHM 1/4W J |
|5 | CRD25FJ101T | RES , CARBON | 100 OHM 1/4W J |
|5 | CRD25FJ101T | RES , CARBON | 100 OHM 1/4W J |
|5 | CRD25FJ100T | RES , CARBON | 10 OHM 1/4W J |
|5 | CRD25FJ100T | RES , CARBON | 10 OHM 1/4W J |
|5 | CRD25FJ100T | RES , CARBON | 10 OHM 1/4W J |
|5 | CRD25FJ100T | RES , CARBON | 10 OHM 1/4W J |
|5 | CRD20TJ102T | RES , CARBON | 1K OHM 1/5W J |
|5 | CRD20TJ102T | RES , CARBON | 1K OHM 1/5W J |
|5 | CRD20TJ224T | RES , CARBON | 220 KOHM 1/5W J |
|5 | CRD20TJ224T | RES , CARBON | 220 KOHM 1/5W J |
|5 | CRD20TJ122T | RES , CARBON | 1.2K OHM 1/5W J |
|5 | CRD20TJ122T | RES , CARBON | 1.2K OHM 1/5W J |
|5 | CRD20TJ102T | RES , CARBON | 1K OHM 1/5W J |
|5 | CRD20TJ183T | RES , CARBON | 18K OHM 1/5W J |

| | | | |
|------|--------------|-------------------------------|----------------|
| ...5 | CRD20TJ103T | RES , CARBON | 10K OHM 1/5W J |
| ...4 | CMY1A122ZA | HEATSINK ASS'Y | |
| ...5 | CDD1A013YA | FAN ASS'Y | |
| ...6 | CDD1A013 | FAN | |
| ...6 | CDMCCM05045F | MOTOR | |
| ...6 | CGP3A016 | FRAME , FAN | |
| ...6 | CSN2+4R | SCREW | ROHS |
| ...6 | CWZAV7742 | WIRE ASS'Y | |
| ...6 | C2K86102 | SOLDER , FLUX WIRE PB FREE(PI | HSE-04 W1.0 |
| ...5 | CGP2A015 | COVER , HEAT SINK | |
| ...5 | CMY1A122 | HEATSINK | |
| ...5 | CTB3+8JR | SCREW | |
| ...5 | CTW3+12JR | SCREW | |
| ...5 | HVTKTD2058Y | T.R | KTD2058Y |
| ...5 | HVTKTD2058Y | T.R | KTD2058Y |
| ...5 | HVT2SC3519A | T.R , POWER | |
| ...5 | HVT2SC3519A | T.R , POWER | |
| ...5 | HVT2SA1386A | T.R , POWER | |
| ...5 | HVT2SA1386A | T.R , POWER | |
| ...5 | KRTNTC5D103 | THERMISTER | NTC5D-103KYW10 |
| ...4 | CNE75 | PLATE , EARTH | |
| ...4 | CQB1D022 | A-ROHS/LABEL,SERIAL | |
| ...4 | C2K86002 | SOLDER , BAR SN PB FREE | HSE-16(P) B20 |
| ...4 | C2K86102 | SOLDER , FLUX WIRE PB FREE(PI | HSE-04 W1.0 |
| ...4 | C8AGB288 | BOND (MAX) | |
| ...4 | C8E534 | FLUX | |
| ...4 | CWZAM1100BN0 | WIRE ASS'Y | |
| ...4 | CWZAM1100BN0 | WIRE ASS'Y | |
| ...4 | CWZAM1100BN0 | WIRE ASS'Y | |
| ...4 | CWZAR600BN43 | WIRE ASS'Y | |
| ...4 | CJP05GA01ZY | WAFER(YMW025-05R) | |
| ...4 | CJP07GA01ZY | WAFER , STRAIGHT(7PIN) | |
| ...4 | CJP04GA01ZY | WAFER , STRAIGHT(4PIN) | |
| ...4 | CJP04GA01ZY | WAFER , STRAIGHT(4PIN) | |
| ...4 | CJP06GA01ZY | WAFER , 6PIN | |
| ...4 | CJP11GA01ZY | WAFER | |
| ...4 | CJP06GA01ZY | WAFER , 6PIN | |
| ...4 | CJP02GA01ZY | WAFER , STRAIGHT, 2PIN | |
| ...4 | CJP04GA01ZY | WAFER , STRAIGHT(4PIN) | |
| ...4 | KCKD2H103KB | CAP,CERAMIC 500V | CKB2H103K16BW1 |
| ...4 | KCKD2H103KB | CAP,CERAMIC 500V | CKB2H103K16BW1 |
| ...4 | KCKD2H103KB | CAP,CERAMIC 500V | CKB2H103K16BW1 |
| ...4 | KCKD2H103KB | CAP,CERAMIC 500V | CKB2H103K16BW1 |
| ...4 | CCET75VPKPO1 | CAP , ELECT | |
| ...4 | CCET75VPKPO1 | CAP , ELECT | |
| ...4 | CCEA1VH102E | CAP , ELECT | |
| ...4 | CCEA1VH102E | CAP , ELECT | |
| ...4 | CCEA1HH222E | CAP , ELECT | |

| | | | |
|------|---------------|---------------------|---------------|
| ...4 | CCEA1HH222E | CAP , ELECT | |
| ...4 | CVDKBPC2504V | BRIDGE DIODE ASS'Y | |
| ...5 | CMY1A022 | HEATSINK | |
| ...5 | CTB3+20JR | SCREW | |
| ...5 | HVDKBPC2504V | DIODE , BRIDGE US | KBPC2504WF |
| ...5 | K8AYG6260 | COMPOUND , SILICONE | |
| ...4 | HVINJU7312L | I.C | NJU7312AL |
| ...4 | HVIMC4558S | I.C | |
| ...4 | CVIMC7815CZA | I.C ASS'Y | |
| ...5 | CMY1A025 | HEATSINK | |
| ...5 | CTB3+8JR | SCREW | |
| ...5 | HVIMC7815C | I.C, REGULATOR | KA7815-ABTU |
| ...5 | K8AYG6260 | COMPOUND , SILICONE | |
| ...4 | CVIMC7915CZA | I.C ASS'Y | |
| ...5 | CMY1A025 | HEATSINK | |
| ...5 | CTB3+8JR | SCREW | |
| ...5 | HVIMC7915C | I.C, REGULATOR | KA7915-ABTU |
| ...5 | K8AYG6260 | COMPOUND , SILICONE | |
| ...4 | CVIMC7805CZA | I.C ASS'Y | KMY1A025 |
| ...5 | CMY1A025 | HEATSINK | |
| ...5 | CTB3+8JR | SCREW | |
| ...5 | HVIKIA7805API | REGULATOR, +5V | 7805API (KEC) |
| ...5 | K8AYG6260 | COMPOUND , SILICONE | |
| ...4 | CJJ4N040ZAR6 | JACK | |
| ...4 | CJJ4R019Z | JACK , IN/OUT | |
| ...4 | CJJ4R019Z | JACK , IN/OUT | |
| ...4 | CWZAM1100JW | WIRE ASS'Y | |
| ...4 | CLR9Y003Z | COIL , SPEAKER | |
| ...4 | CLR9Y003Z | COIL , SPEAKER | |
| ...4 | HVT2SC2911S | T.R | 2SC2911S |
| ...4 | HVT2SC2911S | T.R | 2SC2911S |
| ...4 | HVT2SA1209S | T.R | 2SA1209S |
| ...4 | HVT2SA1209S | T.R | 2SA1209S |
| ...4 | HVTKTC3200GR | T.R | KTC3200GR |
| ...4 | HVTKTC3200GR | T.R | KTC3200GR |
| ...4 | HVTKTC3200GR | T.R | KTC3200GR |
| ...4 | HVTKTC3200GR | T.R | KTC3200GR |
| ...4 | HVTKTA1267YT | T.R | KTA1267Y |
| ...4 | HVTKTA1267YT | T.R | KTA1267Y |
| ...4 | HVTKTA1267YT | T.R | KTA1267Y |
| ...4 | HVTKTA1267YT | T.R | KTA1267Y |
| ...4 | HVT2SA1209S | T.R | 2SA1209S |
| ...4 | HVT2SA1209S | T.R | 2SA1209S |
| ...4 | HVT2SC2911S | T.R | 2SC2911S |
| ...4 | HVT2SC2911S | T.R | 2SC2911S |
| ...4 | HVT2SC2911S | T.R | 2SC2911S |
| ...4 | HVT2SC2911S | T.R | 2SC2911S |
| ...4 | HVT2SC3423O | T.R | 2SC3423O |

| | | | |
|------|--------------|---------------------------------|---------------|
| ...4 | HVT2SC3423O | T.R | 2SC3423O |
| ...4 | HVT2SA1360O | T.R | 2SA1360O |
| ...4 | HVT2SA1360O | T.R | 2SA1360O |
| ...4 | HVTKTD2061Y | T.R , DRIVE | KTD2061Y |
| ...4 | HVTKTD2061Y | T.R , DRIVE | KTD2061Y |
| ...4 | HVTKTB1369Y | T.R , DRIVE | KTB1369Y |
| ...4 | HVTKTB1369Y | T.R , DRIVE | KTB1369Y |
| ...4 | HSL1A008ZE | RELAY | SDT-S-112DMR |
| ...4 | HSL1A008ZE | RELAY | SDT-S-112DMR |
| ...4 | HSL1A008ZE | RELAY | SDT-S-112DMR |
| ...4 | HSL1A008ZE | RELAY | SDT-S-112DMR |
| ...4 | CRG1ANJ681H | RES , METAL OXIDE FILM | 680 OHM 1W J |
| ...4 | CRG1ANJ681H | RES , METAL OXIDE FILM | 680 OHM 1W J |
| ...4 | CRG1ANJ471H | RES , METAL OXIDE FILM | 470 OHM 1W J |
| ...4 | CRG1ANJ471H | RES , METAL OXIDE FILM | 470 OHM 1W J |
| ...4 | CRG1ANJ273H | RES , METAL OXIDE FILM | 27K OHM 1W J |
| ...4 | CRG1ANJ273H | RES , METAL OXIDE FILM | 27K OHM 1W J |
| ...4 | CRG1ANJ100H | RES , METAL OXIDE FILM | 10 OHM 1W J |
| ...4 | CRG1ANJ100H | RES , METAL OXIDE FILM | 10 OHM 1W J |
| ...4 | CRG1ANJ100H | RES , METAL OXIDE FILM | 10 OHM 1W J |
| ...4 | CRG1ANJ100H | RES , METAL OXIDE FILM | 10 OHM 1W J |
| ...4 | CRF5EKR22H | RES , CEMENT | 0.22 OHM 5W K |
| ...4 | CRF5EKR22H | RES , CEMENT | 0.22 OHM 5W K |
| ...4 | CRF5EKR22H | RES , CEMENT | 0.22 OHM 5W K |
| ...4 | CRF5EKR22H | RES , CEMENT | 0.22 OHM 5W K |
| ...4 | CRG2ANJ4R7H | RES , METAL OXIDE FILM | |
| ...4 | CRG2ANJ4R7H | RES , METAL OXIDE FILM | |
| ...4 | CRG2ANJ100H | RES , METAL OXIDE FILM | |
| ...4 | CRG2ANJ100H | RES , METAL OXIDE FILM | |
| ...4 | CRG2ANJ391H | RES , METAL OXIDE FILM | |
| ...4 | CRG2ANJ391H | RES , METAL OXIDE FILM | |
| ...4 | CRD50FJ123T | RES , CARBON | |
| ...4 | CRD50FJ123T | RES , CARBON | |
| ...4 | CRQ1AJR47H | RES , FUSE | |
| ...4 | CRQ1AJR47H | RES , FUSE | |
| ...4 | CRQ1AJR47H | RES , FUSE | |
| ...4 | CRQ1AJR47H | RES , FUSE | |
| ...4 | CRD50FJ123T | RES , CARBON | |
| ...4 | CRD50FJ123T | RES , CARBON | |
| ...4 | CRD50FJ123T | RES , CARBON | |
| ...4 | CRD50FJ123T | RES , CARBON | |
| ...4 | CRQ1AJ100H | RES , FUSE | |
| ...4 | CJJ5P011Z | TERMINAL , SPEAKER | |
| ...4 | CJJ5P014Z | TERMINAL , SPEAKER(4P) | PTB-408SA |
| ...4 | CJP02GA01ZY | WAFER , STRAIGHT, 2PIN | |
| ...4 | CJP02GA01ZY | WAFER , STRAIGHT, 2PIN | |
| ...4 | CVN1RA471B02 | RES , SEMI FIXED (470, B CURVE) | KVSF637AVC |
| ...4 | CVN1RA471B02 | RES , SEMI FIXED (470, B CURVE) | KVSF637AVC |

| | | | |
|-----|---------------|----------------------------|---------------------|
| ..3 | CQB1A173Y | LABEL, FUSE CAUTION | |
| ..3 | CTB3+10GFZR | SCREW | |
| ..3 | CTB3+6JR | SCREW | |
| ..3 | CTB3+8JFZR | SCREW | |
| ..3 | CTB3+8JR | SCREW | |
| ..3 | CTB4+8FR | SCREW | |
| ..3 | CTW3+12JR | SCREW | |
| ..3 | CTW3+16JR | SCREW | |
| ..3 | CTW3+8JR | SCREW | |
| ..3 | CUA4A148 | CHASSIS , BOTTOM | |
| ..3 | C2K86002 | SOLDER , BAR SN PB FREE | HSE-16(P) B20 |
| ..3 | KHG1A050 | RUBBER , CUSHION | |
| ..3 | KHR1A028 | BUSHING , AC CORD | |
| ..3 | KMA2A001 | TERMINAL , GROUND | |
| ..3 | KBA2C4000TLE2 | FUSE | |
| 1 | CHE154 | CLAMPER , ARM | |
| 1 | CPB1A013Y | BAG , POLY | |
| 1 | CPG1A550Y | BOX , OUT CARTON | |
| 1 | CPL18A5M | STAPLE | |
| 1 | CPS1A396 | PAD , SNOW | |
| 1 | CPS1A397 | PAD , SNOW | |
| 1 | CQB1A590Y | EUR-Y LABEL | TEAC(BOX) |
| 1 | CQB1A622 | LABEL , SERIAL NO | |
| 1 | CQS1A001 | RIBON , BAR CODE | SONY(TR-4070) |
| 1 | CQT1A144 | LABEL , BAR CODE | |
| 1 | CQXAR610EUR | INSTRUCTION MANUAL ASS'Y | |
| .2 | CABR03PPB | BATTERY , AAA 2PCS IN PACK | |
| .2 | CARTAR600Y | REMOCON | |
| .2 | CPB1061W | BAG , POLY(ENGLISH/FRANCH) | FRANCE LANGUAGE ADI |
| .2 | CPL0905 | STAPLE | |
| .2 | CQE1A370Y | WARRANTY CARD(EUR,UK) | |
| .2 | CQE1A403Z | SHEET , BATTERY TEAC | |
| .2 | CQX1A484W | MANUAL , INSTRUCTION | |
| 1 | CRE1A037 | LOCKER | SH08M790BO |
| 1 | C4FC240CL | TAPE , P.P(24mm*50mm) | |
| 1 | C4FC500CL | TAPE , OPP | |

Product of ANAM, China, 09/05/07

| REF. No. | Q'TY | UNIT | RREMARKS |
|----------|------|------|-----------------|
| | 1 | EA | |
| | 1 | EA | |
| | 1 | EA | A-R600EUR |
| | 2 | EA | A-R600EUR |
| | 1 | EA | A-R600EUR |
| | 1 | EA | |
| | 3 | EA | |
| | 2 | EA | A-R600EUR |
| | 1 | EA | A-R600EUR |
| | 1 | EA | A-R600EUR |
| | 1 | EA | |
| | 3 | EA | A-R600EUR |
| | 2 | EA | A-R600EUR |
| | 1 | EA | A-R600EUR |
| | 1 | EA | |
| | 2 | EA | ALL MODEL |
| | 1 | EA | A-R600 |
| | 1 | EA | A-R600/AG-D9320 |
| | 2 | EA | A-R600 |
| | 3 | EA | |
| | 1 | EA | |
| | 1 | EA | |
| | 1 | EA | |
| C301 | 1 | EA | 35V 10UF 5*11 |
| C302 | 1 | EA | 35V 10UF 5*11 |
| C303 | 1 | EA | 5PF 50V C |
| C304 | 1 | EA | 5PF 50V C |
| C305 | 1 | EA | HPE473J2AP050T |
| C306 | 1 | EA | HPE473J2AP050T |
| C307 | 1 | EA | HPE473J2AP050T |
| C308 | 1 | EA | HPE473J2AP050T |
| C309 | 1 | EA | HPE152J2AP050T |
| C310 | 1 | EA | HPE152J2AP050T |
| C311 | 1 | EA | HPE152J2AP050T |
| C312 | 1 | EA | HPE152J2AP050T |
| C313 | 1 | EA | 35V 10UF 5*11 |
| C314 | 1 | EA | 35V 10UF 5*11 |
| C315 | 1 | EA | 25V 47UF 5*11 |
| C316 | 1 | EA | 25V 47UF 5*11 |
| C317 | 1 | EA | 25V 47UF 5*11 |
| C318 | 1 | EA | 25V 47UF 5*11 |

| | | | |
|------|---|----|-----------------|
| C319 | 1 | EA | CH UP050 F223Z- |
| C320 | 1 | EA | CH UP050 F223Z- |
| C321 | 1 | EA | CH UP050 F223Z- |
| C322 | 1 | EA | CH UP050 F223Z- |
| C323 | 1 | EA | 35V 10UF 5*11 |
| C324 | 1 | EA | 35V 10UF 5*11 |
| C325 | 1 | EA | CH UP050 F223Z- |
| C326 | 1 | EA | CH UP050 F223Z- |
| C327 | 1 | EA | CCC 1H 180J 04 |
| C328 | 1 | EA | CCC 1H 180J 04 |
| C329 | 1 | EA | CH UP050 F473Z- |
| C330 | 1 | EA | |
| C332 | 1 | EA | 00107-1003 |
| C336 | 1 | EA | 25V 47UF 5*11 |
| C337 | 1 | EA | 25V 47UF 5*11 |
| C338 | 1 | EA | HPE103J2AP050T |
| C351 | 1 | EA | CH UP050 F103Z- |
| C353 | 1 | EA | 00107-1015 |
| C354 | 1 | EA | CH UP050 F223Z- |
| C357 | 1 | EA | CH UP025 B102K- |
| C358 | 1 | EA | CH UP025 B102K- |
| C359 | 1 | EA | HPE683J2AP050T |
| C360 | 1 | EA | HPE683J2AP050T |
| C361 | 1 | EA | CH UP050 F473Z- |
| C363 | 1 | EA | CH UP050 F103Z- |
| C364 | 1 | EA | CH UP050 F103Z- |
| C365 | 1 | EA | |
| C367 | 1 | EA | CH UP050 F473Z- |
| C384 | 1 | EA | CH EP025 B472M- |
| C385 | 1 | EA | CH EP025 B472M- |
| C387 | 1 | EA | CH UP025 B102K- |
| C388 | 1 | EA | CH UP025 B102K- |
| C389 | 1 | EA | CH UP050 F103Z- |
| C390 | 1 | EA | 00107-1003 |
| C391 | 1 | EA | CH UP050 F473Z- |
| C393 | 1 | EA | CH UP050 F473Z- |
| C394 | 1 | EA | 00107-1003 |
| C395 | 1 | EA | CH UP050 F223Z- |
| C396 | 1 | EA | 00107-1015 |
| C398 | 1 | EA | HPE104J2AP050T |
| C399 | 1 | EA | HPE104J2AP050T |
| C401 | 1 | EA | CH UP025 B101K- |
| C402 | 1 | EA | HPE393J2AP050T |
| C403 | 1 | EA | CH UP025 B181K- |
| C404 | 1 | EA | 35V 10UF 5*11 |
| C405 | 1 | EA | |
| C406 | 1 | EA | 35V 10UF 5*11 |
| C407 | 1 | EA | 35V 10UF 5*11 |

| | | | |
|------|---|----|-----------------|
| C408 | 1 | EA | CH EP025 B222M- |
| C409 | 1 | EA | 35V 10UF 5*11 |
| C411 | 1 | EA | CH UP050 F223Z- |
| C412 | 1 | EA | CH UP050 F223Z- |
| C451 | 1 | EA | 35V 10UF 5*11 |
| C452 | 1 | EA | 35V 10UF 5*11 |
| C453 | 1 | EA | CH UP025CH220J- |
| C454 | 1 | EA | CH UP025CH220J- |
| C455 | 1 | EA | 00107-1019 |
| C456 | 1 | EA | 00107-1019 |
| C457 | 1 | EA | 35V 10UF 5*11 |
| C458 | 1 | EA | 35V 10UF 5*11 |
| C459 | 1 | EA | 35V 10UF 5*11 |
| C460 | 1 | EA | 35V 10UF 5*11 |
| C461 | 1 | EA | CH UP050 F223Z- |
| C462 | 1 | EA | CH UP050 F223Z- |
| C463 | 1 | EA | CH UP050 F223Z- |
| C464 | 1 | EA | CH UP050 F223Z- |
| C465 | 1 | EA | CH UP050 F103Z- |
| D301 | 1 | EA | SLR-342YCTB7 |
| D302 | 1 | EA | SLR-342YCTB7 |
| D303 | 1 | EA | SLR-342YCTB7 |
| D304 | 1 | EA | SLR-342YCTB7 |
| D305 | 1 | EA | SLR-342YCTB7 |
| D306 | 1 | EA | SLR-342YCTB7 |
| D307 | 1 | EA | SLR-342YCTB7 |
| D308 | 1 | EA | SLR-325MCT31 |
| D309 | 1 | EA | SLR342VCTB7T089 |
| D310 | 1 | EA | ISS133(T/B) |
| D312 | 1 | EA | SLR-325MCT31 |
| D313 | 1 | EA | ISS133(T/B) |
| D314 | 1 | EA | SLR-342YCTB7 |
| D315 | 1 | EA | ZJ13BT(26MM T/B |
| D401 | 1 | EA | ISS133(T/B) |
| D913 | 1 | EA | ISS133(T/B) |
| D914 | 1 | EA | 1N4003 SRT |
| D915 | 1 | EA | ZJ5.6BT(26MM T/ |
| D916 | 1 | EA | ZJ5.6BT(26MM T/ |
| F900 | 1 | EA | |
| F902 | 1 | EA | |
| Q301 | 1 | EA | KRC107M-AT/P |
| Q302 | 1 | EA | KRC107M-AT/P |
| Q303 | 1 | EA | KRC107M-AT/P |
| Q304 | 1 | EA | KRC107M-AT/P |
| Q305 | 1 | EA | KRC107M-AT/P |
| Q306 | 1 | EA | KRC107M-AT/P |
| Q307 | 1 | EA | KRC107M-AT/P |
| Q308 | 1 | EA | KRC107M-AT/P |

| | | | |
|------|---|----|-----------------|
| Q309 | 1 | EA | KRC107M-AT/P |
| Q310 | 1 | EA | KRA107M-AT/P |
| Q311 | 1 | EA | KRC107M-AT/P |
| Q312 | 1 | EA | KRA107M-AT/P |
| Q313 | 1 | EA | KRA104M-AT/P |
| Q314 | 1 | EA | KRA104M-AT/P |
| Q315 | 1 | EA | KRA104M-AT/P |
| Q316 | 1 | EA | KRA104M-AT/P |
| Q317 | 1 | EA | KRC107M-AT/P |
| Q318 | 1 | EA | KRC114M-AT/P |
| Q319 | 1 | EA | KRC107M-AT/P |
| Q320 | 1 | EA | KRA107M-AT/P |
| Q321 | 1 | EA | KTA1267-Y-AT/P |
| Q322 | 1 | EA | KRC107M-AT/P |
| Q323 | 1 | EA | KTC3199-Y-AT/P |
| Q324 | 1 | EA | KTC3204-Y-AT/P |
| Q325 | 1 | EA | KTC3204-Y-AT/P |
| Q326 | 1 | EA | KTA1272-Y-AT/P |
| Q327 | 1 | EA | KTA1272-Y-AT/P |
| Q328 | 1 | EA | KRC107M-AT/P |
| Q329 | 1 | EA | KTC3199-Y-AT/P |
| Q330 | 1 | EA | KRA107M-AT/P |
| Q401 | 1 | EA | KTC3198-Y-AT/PJ |
| Q402 | 1 | EA | KTC3198-Y-AT/PJ |
| Q901 | 1 | EA | KTC3204-Y-AT/P |
| R301 | 1 | EA | |
| R302 | 1 | EA | |
| R305 | 1 | EA | |
| R306 | 1 | EA | |
| R309 | 1 | EA | |
| R310 | 1 | EA | |
| R311 | 1 | EA | |
| R312 | 1 | EA | |
| R313 | 1 | EA | |
| R314 | 1 | EA | |
| R315 | 1 | EA | |
| R316 | 1 | EA | |
| R317 | 1 | EA | |
| R318 | 1 | EA | |
| R319 | 1 | EA | |
| R320 | 1 | EA | |
| R321 | 1 | EA | |
| R322 | 1 | EA | |
| R326 | 1 | EA | |
| R327 | 1 | EA | |
| R328 | 1 | EA | |
| R329 | 1 | EA | |
| R330 | 1 | EA | |

| | | | |
|------|---|----|--|
| R331 | 1 | EA | |
| R332 | 1 | EA | |
| R333 | 1 | EA | |
| R334 | 1 | EA | |
| R335 | 1 | EA | |
| R336 | 1 | EA | |
| R337 | 1 | EA | |
| R338 | 1 | EA | |
| R339 | 1 | EA | |
| R340 | 1 | EA | |
| R341 | 1 | EA | |
| R342 | 1 | EA | |
| R343 | 1 | EA | |
| R344 | 1 | EA | |
| R345 | 1 | EA | |
| R346 | 1 | EA | |
| R347 | 1 | EA | |
| R348 | 1 | EA | |
| R349 | 1 | EA | |
| R350 | 1 | EA | |
| R351 | 1 | EA | |
| R352 | 1 | EA | |
| R353 | 1 | EA | |
| R354 | 1 | EA | |
| R358 | 1 | EA | |
| R359 | 1 | EA | |
| R360 | 1 | EA | |
| R361 | 1 | EA | |
| R362 | 1 | EA | |
| R363 | 1 | EA | |
| R364 | 1 | EA | |
| R381 | 1 | EA | |
| R382 | 1 | EA | |
| R383 | 1 | EA | |
| R384 | 1 | EA | |
| R385 | 1 | EA | |
| R386 | 1 | EA | |
| R390 | 1 | EA | |
| R391 | 1 | EA | |
| R401 | 1 | EA | |
| R402 | 1 | EA | |
| R412 | 1 | EA | |
| R413 | 1 | EA | |
| R414 | 1 | EA | |
| R415 | 1 | EA | |
| R417 | 1 | EA | |
| R418 | 1 | EA | |
| R419 | 1 | EA | |

| | | | |
|------|----|----|------------|
| R423 | 1 | EA | |
| R424 | 1 | EA | |
| R426 | 1 | EA | |
| R427 | 1 | EA | |
| R429 | 1 | EA | |
| R451 | 1 | EA | |
| R452 | 1 | EA | |
| R453 | 1 | EA | |
| R454 | 1 | EA | |
| R455 | 1 | EA | |
| R456 | 1 | EA | |
| R457 | 1 | EA | |
| R458 | 1 | EA | |
| R459 | 1 | EA | |
| R460 | 1 | EA | |
| R461 | 1 | EA | |
| R462 | 1 | EA | |
| R463 | 1 | EA | |
| R464 | 1 | EA | |
| R465 | 1 | EA | |
| R466 | 1 | EA | |
| R917 | 1 | EA | |
| R918 | 1 | EA | |
| R919 | 1 | EA | |
| R920 | 1 | EA | |
| R921 | 1 | EA | |
| R922 | 1 | EA | |
| R923 | 1 | EA | |
| R924 | 1 | EA | |
| R925 | 1 | EA | |
| R926 | 1 | EA | |
| R928 | 1 | EA | |
| S301 | 1 | EA | 00802-0005 |
| S302 | 1 | EA | 00802-0005 |
| S303 | 1 | EA | 00802-0005 |
| S304 | 1 | EA | 00802-0005 |
| | 1 | EA | |
| | 5 | G | |
| | 10 | G | |
| | 1 | G | |
| BK01 | 1 | EA | ALL MODEL |
| BK02 | 1 | EA | ALL MODEL |
| BK03 | 1 | EA | ALL MODEL |
| BN02 | 1 | EA | |
| BN03 | 1 | EA | |
| BN04 | 1 | EA | |
| BN06 | 1 | EA | |
| BN07 | 1 | EA | |

| | | | |
|------|---|----|-----------------|
| BN09 | 1 | EA | |
| BN10 | 1 | EA | |
| BN11 | 1 | EA | |
| BN12 | 1 | EA | |
| BN21 | 1 | EA | |
| BN23 | 1 | EA | |
| BN42 | 1 | EA | |
| BN44 | 1 | EA | |
| BN93 | 1 | EA | |
| CN01 | 1 | EA | YMW025-04R |
| CN07 | 1 | EA | YMW025-03R |
| CN10 | 1 | EA | YMW025-04R |
| CN11 | 1 | EA | YMW025-03R |
| CN13 | 1 | EA | |
| CN14 | 1 | EA | |
| CN15 | 1 | EA | |
| CN18 | 1 | EA | |
| CN21 | 1 | EA | |
| CN23 | 1 | EA | YMW025-03R |
| CN42 | 1 | EA | |
| CN43 | 1 | EA | |
| C381 | 1 | EA | 25V 1000UF 10*2 |
| C382 | 1 | EA | DE2E3KH472MECB |
| C383 | 1 | EA | DE2E3KH472MECB |
| IC31 | 1 | EA | KA4558S |
| IC32 | 1 | EA | KA4558S |
| IC33 | 1 | EA | CD4066BM96 |
| IC34 | 1 | EA | TMP87PH47UG(ZO) |
| IC41 | 1 | EA | KA4558S |
| IC42 | 1 | EA | KA4558S |
| IC43 | 1 | EA | KA4558S |
| IC94 | 1 | EA | KIA7805API-U/PF |
| JK31 | 1 | EA | RCA-215-11 |
| JK32 | 1 | EA | PJ-612AG-51 |
| JK41 | 1 | EA | PJ-612AG-51 |
| JW18 | 1 | EA | AG-680 |
| JW22 | 1 | EA | |
| JW45 | 1 | EA | |
| JW91 | 1 | EA | |
| JW92 | 1 | EA | |
| JW93 | 1 | EA | |
| OT91 | 1 | EA | A302D0061P |
| RC31 | 1 | EA | KSM603TH2E |
| RL31 | 1 | EA | G6B-2214P-US DC |
| RL92 | 1 | EA | 9-1419125-8 |
| SW71 | 1 | EA | |
| S305 | 1 | EA | 220014 |
| S306 | 1 | EA | 220014 |

| | | | |
|------|------|----|----------------|
| S307 | 1 | EA | SPUL19X1M071 |
| S308 | 1 | EA | |
| T001 | 1 | EA | |
| VR31 | 1 | EA | EWCEW6F02B54 |
| VR32 | 1 | EA | EWCEW6F02B54 |
| VR33 | 1 | EA | |
| VR41 | 1 | EA | |
| VR71 | 1 | EA | RK16812MG12E |
| X301 | 1 | EA | |
| | 31 | EA | |
| | 2 | EA | 00M51260308M0 |
| | 1 | EA | |
| | 1 | EA | A-H500&A-R600 |
| | 0.02 | M | ALL MODEL |
| | 2 | G | |
| | 1 | EA | |
| | | EA | A4-95-2336 |
| | | EA | |
| | | EA | |
| | 1 | EA | |
| | | EA | A-R600 |
| | | EA | |
| | | EA | |
| | 1 | EA | |
| | 1 | EA | |
| | 1 | EA | |
| | 6 | EA | |
| | 2 | EA | |
| | 4 | EA | |
| | 1 | EA | |
| | 5 | EA | ALL MODEL |
| | 3 | EA | ALL MODEL |
| | 7 | EA | |
| | 6 | EA | |
| | 1 | EA | EUR 16A 250V |
| | 1 | EA | |
| | 2 | EA | TD-3000 |
| | 2 | EA | i MODEL |
| | 1 | EA | |
| | 1 | EA | 29X7.7X19 |
| | 1 | EA | |
| | 1 | EA | |
| | 1 | EA | |
| | 1 | EA | A-R600 |
| C101 | 1 | EA | CCC 1H 180J 04 |
| C102 | 1 | EA | CCC 1H 180J 04 |
| C103 | 1 | EA | KCKR1H151KB |
| C104 | 1 | EA | KCKR1H151KB |

| | | | |
|------|---|----|-----------------|
| C105 | 1 | EA | CCC 1H 220J 04 |
| C106 | 1 | EA | CCC 1H 220J 04 |
| C107 | 1 | EA | HPE102J2AP050T |
| C108 | 1 | EA | HPE102J2AP050T |
| C109 | 1 | EA | HPE562J2AP050T |
| C110 | 1 | EA | HPE562J2AP050T |
| C111 | 1 | EA | HPE223J2AP050T |
| C112 | 1 | EA | HPE223J2AP050T |
| C113 | 1 | EA | 00107-1019 |
| C114 | 1 | EA | 00107-1019 |
| C115 | 1 | EA | 25V 47UF 5*11 |
| C116 | 1 | EA | 25V 47UF 5*11 |
| C117 | 1 | EA | CH UP050 F223Z- |
| C118 | 1 | EA | CH UP050 F223Z- |
| C119 | 1 | EA | 25V 47UF 5*11 |
| C120 | 1 | EA | 25V 47UF 5*11 |
| C121 | 1 | EA | CC0 1H 101J 05 |
| C122 | 1 | EA | CC0 1H 101J 05 |
| C123 | 1 | EA | CC0 1H 101J 05 |
| C124 | 1 | EA | CC0 1H 101J 05 |
| C125 | 1 | EA | CC0 1H 101J 05 |
| C126 | 1 | EA | CC0 1H 101J 05 |
| C127 | 1 | EA | CC0 1H 101J 05 |
| C128 | 1 | EA | CC0 1H 101J 05 |
| C129 | 1 | EA | CC0 1H 101J 05 |
| C130 | 1 | EA | CC0 1H 101J 05 |
| C131 | 1 | EA | CC0 1H 101J 05 |
| C132 | 1 | EA | CC0 1H 101J 05 |
| C133 | 1 | EA | CC0 1H 101J 05 |
| C134 | 1 | EA | CC0 1H 101J 05 |
| C135 | 1 | EA | CC0 1H 101J 05 |
| C136 | 1 | EA | CC0 1H 101J 05 |
| C137 | 1 | EA | 50V 2.2UF 5*11 |
| C138 | 1 | EA | 50V 2.2UF 5*11 |
| C139 | 1 | EA | 50V 2.2UF 5*11 |
| C140 | 1 | EA | 50V 2.2UF 5*11 |
| C141 | 1 | EA | |
| C143 | 1 | EA | CH UP050 F223Z- |
| C144 | 1 | EA | CH UP050 F223Z- |
| C145 | 1 | EA | 25V 47UF 5*11 |
| C146 | 1 | EA | 25V 47UF 5*11 |
| C147 | 1 | EA | CKB 1H 181K 04 |
| C201 | 1 | EA | 00107-1019 |
| C202 | 1 | EA | 00107-1019 |
| C205 | 1 | EA | CH UP050 F103Z- |
| C206 | 1 | EA | CH UP050 F103Z- |
| C207 | 1 | EA | CH UP050 F103Z- |
| C208 | 1 | EA | CH UP050 F103Z- |

| | | | |
|------|---|----|-----------------|
| C209 | 1 | EA | 25V 47UF 5*11 |
| C210 | 1 | EA | 00107-1001 |
| C211 | 1 | EA | |
| C212 | 1 | EA | |
| C213 | 1 | EA | 00107-1003 |
| C214 | 1 | EA | 25V 47UF 5*11 |
| C401 | 1 | EA | 00107-1019 |
| C402 | 1 | EA | 00107-1019 |
| C403 | 1 | EA | CCC 1H 030C 04 |
| C404 | 1 | EA | CCC 1H 030C 04 |
| C405 | 1 | EA | KCKR1H561KB |
| C406 | 1 | EA | KCKR1H561KB |
| C407 | 1 | EA | HPE332J2AP050T |
| C408 | 1 | EA | HPE332J2AP050T |
| C409 | 1 | EA | |
| C410 | 1 | EA | |
| C411 | 1 | EA | |
| C412 | 1 | EA | |
| C413 | 1 | EA | CCC 1H 120J 04 |
| C414 | 1 | EA | CCC 1H 120J 04 |
| C415 | 1 | EA | HPE473J2AP050T |
| C416 | 1 | EA | HPE473J2AP050T |
| C417 | 1 | EA | HPE102J2AP050T |
| C418 | 1 | EA | HPE102J2AP050T |
| C419 | 1 | EA | 00107-1019 |
| C420 | 1 | EA | 00107-1019 |
| C501 | 1 | EA | 00107-1019 |
| C502 | 1 | EA | 00107-1019 |
| C503 | 1 | EA | CH UP025 B391K- |
| C504 | 1 | EA | CH UP025 B391K- |
| C505 | 1 | EA | CCC 1H 120J 04 |
| C506 | 1 | EA | CCC 1H 120J 04 |
| C507 | 1 | EA | CCC 1H 030C 04 |
| C508 | 1 | EA | CCC 1H 030C 04 |
| C509 | 1 | EA | 25V 47UF 5*11 |
| C510 | 1 | EA | 25V 47UF 5*11 |
| C511 | 1 | EA | HPE473J2AP050T |
| C512 | 1 | EA | HPE473J2AP050T |
| C513 | 1 | EA | CCO 1H 221J 05 |
| C514 | 1 | EA | CCO 1H 221J 05 |
| C515 | 1 | EA | 00107-1015 |
| C516 | 1 | EA | 00107-1015 |
| C517 | 1 | EA | 00107-1031 |
| C518 | 1 | EA | 00107-1031 |
| C519 | 1 | EA | 25V 47UF 5*11 |
| C520 | 1 | EA | 25V 47UF 5*11 |
| C521 | 1 | EA | 00107-1031 |
| C522 | 1 | EA | 00107-1031 |

| | | | |
|------|---|----|-----------------|
| C523 | 1 | EA | 56PF 50V J |
| C524 | 1 | EA | 56PF 50V J |
| C525 | 1 | EA | CCC1H 100D 04 F |
| C526 | 1 | EA | CCC1H 100D 04 F |
| C527 | 1 | EA | 00107-1031 |
| C528 | 1 | EA | 00107-1031 |
| C529 | 1 | EA | CCC 1H 220J 04 |
| C530 | 1 | EA | CCC 1H 220J 04 |
| C531 | 1 | EA | CCC 1H 220J 04 |
| C532 | 1 | EA | CCC 1H 220J 04 |
| C533 | 1 | EA | SMS 100V 10UF 6 |
| C534 | 1 | EA | SMS 100V 10UF 6 |
| C535 | 1 | EA | SMS 100V 10UF 6 |
| C536 | 1 | EA | SMS 100V 10UF 6 |
| C537 | 1 | EA | CC0 1H 101J 05 |
| C538 | 1 | EA | CC0 1H 101J 05 |
| C539 | 1 | EA | CC0 1H 101J 05 |
| C540 | 1 | EA | CC0 1H 101J 05 |
| C541 | 1 | EA | KCKR1H561KB |
| C542 | 1 | EA | KCKR1H561KB |
| C543 | 1 | EA | CH UP050 F103Z- |
| C544 | 1 | EA | CH UP050 F103Z- |
| C907 | 1 | EA | HPE222J2AP050T |
| C908 | 1 | EA | HPE222J2AP050T |
| C913 | 1 | EA | HPE222J2AP050T |
| C914 | 1 | EA | HPE222J2AP050T |
| C915 | 1 | EA | HPE223J2AP050T |
| C916 | 1 | EA | HPE223J2AP050T |
| C918 | 1 | EA | 00107-1003 |
| C919 | 1 | EA | |
| C920 | 1 | EA | 35V 100UF 6.3*1 |
| C921 | 1 | EA | |
| C922 | 1 | EA | 35V 100UF 6.3*1 |
| C923 | 1 | EA | |
| C924 | 1 | EA | 50V 100UF 8*11. |
| C925 | 1 | EA | 50V 100UF 8*11. |
| C926 | 1 | EA | |
| C927 | 1 | EA | |
| C928 | 1 | EA | 50V 100UF 8*11. |
| C929 | 1 | EA | 50V 100UF 8*11. |
| C930 | 1 | EA | HPE103J2AP050T |
| C931 | 1 | EA | HPE103J2AP050T |
| C932 | 1 | EA | HPE103J2AP050T |
| C933 | 1 | EA | HPE103J2AP050T |
| C935 | 1 | EA | HPE473J2AP050T |
| C936 | 1 | EA | HPE473J2AP050T |
| C937 | 1 | EA | HPE102J2AP050T |
| C938 | 1 | EA | HPE102J2AP050T |

| | | | |
|------|---|----|-----------------|
| C939 | 1 | EA | CH UP025SL560J- |
| C940 | 1 | EA | CH UP025SL560J- |
| C941 | 1 | EA | CH UP050 F223Z- |
| C942 | 1 | EA | CH UP050 F223Z- |
| C943 | 1 | EA | HPE104J2AP050T |
| D201 | 1 | EA | ISS133(T/B) |
| D202 | 1 | EA | ISS133(T/B) |
| D203 | 1 | EA | ISS133(T/B) |
| D204 | 1 | EA | ISS133(T/B) |
| D205 | 1 | EA | ISS133(T/B) |
| D206 | 1 | EA | ZJ6.2BT(26MM T/ |
| D207 | 1 | EA | ISS133(T/B) |
| D208 | 1 | EA | ISS133(T/B) |
| D209 | 1 | EA | ISS133(T/B) |
| D210 | 1 | EA | ISS133(T/B) |
| D211 | 1 | EA | ISS133(T/B) |
| D212 | 1 | EA | ISS133(T/B) |
| D401 | 1 | EA | ISS133(T/B) |
| D402 | 1 | EA | ISS133(T/B) |
| D403 | 1 | EA | ISS133(T/B) |
| D404 | 1 | EA | ISS133(T/B) |
| D405 | 1 | EA | ISS133(T/B) |
| D406 | 1 | EA | ISS133(T/B) |
| D407 | 1 | EA | ISS133(T/B) |
| D408 | 1 | EA | ISS133(T/B) |
| D501 | 1 | EA | ZJ6.2BT(26MM T/ |
| D502 | 1 | EA | ZJ6.2BT(26MM T/ |
| D503 | 1 | EA | ZJ6.2BT(26MM T/ |
| D504 | 1 | EA | ZJ6.2BT(26MM T/ |
| D505 | 1 | EA | ISS133(T/B) |
| D506 | 1 | EA | ISS133(T/B) |
| D507 | 1 | EA | ISS133(T/B) |
| D508 | 1 | EA | ISS133(T/B) |
| D509 | 1 | EA | ISS133(T/B) |
| D510 | 1 | EA | ISS133(T/B) |
| D511 | 1 | EA | ISS133(T/B) |
| D512 | 1 | EA | ISS133(T/B) |
| D513 | 1 | EA | ISS133(T/B) |
| D514 | 1 | EA | ISS133(T/B) |
| D515 | 1 | EA | ISS133(T/B) |
| D516 | 1 | EA | ISS133(T/B) |
| D517 | 1 | EA | ISS133(T/B) |
| D518 | 1 | EA | ISS133(T/B) |
| D519 | 1 | EA | ISS133(T/B) |
| D520 | 1 | EA | ISS133(T/B) |
| D521 | 1 | EA | ISS133(T/B) |
| D522 | 1 | EA | ISS133(T/B) |
| D523 | 1 | EA | ISS133(T/B) |

| | | | |
|------|---|----|-----------------|
| D524 | 1 | EA | ISS133(T/B) |
| D525 | 1 | EA | ISS133(T/B) |
| D526 | 1 | EA | ISS133(T/B) |
| D527 | 1 | EA | ISS133(T/B) |
| D528 | 1 | EA | ISS133(T/B) |
| D529 | 1 | EA | ISS133(T/B) |
| D530 | 1 | EA | ISS133(T/B) |
| D531 | 1 | EA | ISS133(T/B) |
| D532 | 1 | EA | ISS133(T/B) |
| D533 | 1 | EA | ISS133(T/B) |
| D534 | 1 | EA | ISS133(T/B) |
| D902 | 1 | EA | 1N4003T/P |
| D903 | 1 | EA | 1N4003T/P |
| D904 | 1 | EA | 1N4003T/P |
| D905 | 1 | EA | 1N4003T/P |
| D906 | 1 | EA | 1N4003T/P |
| D907 | 1 | EA | 1N4003T/P |
| D908 | 1 | EA | 1N4003T/P |
| D909 | 1 | EA | 1N4003T/P |
| D910 | 1 | EA | ZJ30BT(26MM T/B |
| D911 | 1 | EA | ZJ30BT(26MM T/B |
| D916 | 1 | EA | ISS133(T/B) |
| Q101 | 1 | EA | KTC2874-B-AT/P |
| Q102 | 1 | EA | KTC2874-B-AT/P |
| Q105 | 1 | EA | KTC2874-B-AT/P |
| Q106 | 1 | EA | KTC2874-B-AT/P |
| Q201 | 1 | EA | KTC3198-Y-AT/PJ |
| Q202 | 1 | EA | KTC3198-Y-AT/PJ |
| Q203 | 1 | EA | KTC3198-Y-AT/PJ |
| Q204 | 1 | EA | KTC3198-Y-AT/PJ |
| Q205 | 1 | EA | KRA107M-AT/P |
| Q206 | 1 | EA | KRA107M-AT/P |
| Q207 | 1 | EA | KRA107M-AT/P |
| Q208 | 1 | EA | KTC3203-Y-AT/PF |
| Q209 | 1 | EA | KTC3203-Y-AT/PF |
| Q210 | 1 | EA | KTC3198-Y-AT/PJ |
| Q211 | 1 | EA | KRA107M-AT/P |
| Q212 | 1 | EA | KTC3198-Y-AT/PJ |
| Q213 | 1 | EA | KTA1272-Y-AT/P |
| Q401 | 1 | EA | KTA1268-GR-AT/P |
| Q402 | 1 | EA | KTA1268-GR-AT/P |
| Q403 | 1 | EA | KTA1268-GR-AT/P |
| Q404 | 1 | EA | KTA1268-GR-AT/P |
| Q405 | 1 | EA | KTC3200-GR-AT/P |
| Q406 | 1 | EA | KTC3200-GR-AT/P |
| Q407 | 1 | EA | KTA1266-Y-AT/PJ |
| Q408 | 1 | EA | KTA1266-Y-AT/PJ |
| Q409 | 1 | EA | KTC3198-Y-AT/PJ |

| | | | |
|------|---|----|-----------------|
| Q410 | 1 | EA | KTC3198-Y-AT/PJ |
| Q501 | 1 | EA | KTC2874-B-AT/P |
| Q502 | 1 | EA | KTC2874-B-AT/P |
| Q503 | 1 | EA | KTC2874-B-AT/P |
| Q504 | 1 | EA | KTC2874-B-AT/P |
| Q505 | 1 | EA | 2SK117-BL(TPE2, |
| Q506 | 1 | EA | 2SK117-BL(TPE2, |
| Q507 | 1 | EA | 2SK117-BL(TPE2, |
| Q508 | 1 | EA | 2SK117-BL(TPE2, |
| Q901 | 1 | EA | KTC1027Y |
| Q902 | 1 | EA | KSA916-YTA |
| R101 | 1 | EA | |
| R102 | 1 | EA | |
| R103 | 1 | EA | |
| R104 | 1 | EA | |
| R105 | 1 | EA | |
| R106 | 1 | EA | |
| R107 | 1 | EA | |
| R108 | 1 | EA | |
| R109 | 1 | EA | |
| R110 | 1 | EA | |
| R111 | 1 | EA | |
| R112 | 1 | EA | |
| R113 | 1 | EA | |
| R114 | 1 | EA | |
| R115 | 1 | EA | |
| R116 | 1 | EA | |
| R117 | 1 | EA | 150 OHM 1/4W J |
| R118 | 1 | EA | 150 OHM 1/4W J |
| R119 | 1 | EA | |
| R120 | 1 | EA | |
| R121 | 1 | EA | |
| R122 | 1 | EA | |
| R123 | 1 | EA | |
| R124 | 1 | EA | |
| R125 | 1 | EA | |
| R126 | 1 | EA | |
| R127 | 1 | EA | |
| R128 | 1 | EA | |
| R129 | 1 | EA | |
| R130 | 1 | EA | |
| R131 | 1 | EA | |
| R132 | 1 | EA | |
| R133 | 1 | EA | |
| R134 | 1 | EA | |
| R135 | 1 | EA | |
| R136 | 1 | EA | |
| R137 | 1 | EA | |

| | | | |
|------|---|----|--|
| R138 | 1 | EA | |
| R139 | 1 | EA | |
| R140 | 1 | EA | |
| R141 | 1 | EA | |
| R142 | 1 | EA | |
| R143 | 1 | EA | |
| R144 | 1 | EA | |
| R145 | 1 | EA | |
| R146 | 1 | EA | |
| R149 | 1 | EA | |
| R150 | 1 | EA | |
| R151 | 1 | EA | |
| R152 | 1 | EA | |
| R155 | 1 | EA | |
| R156 | 1 | EA | |
| R157 | 1 | EA | |
| R158 | 1 | EA | |
| R171 | 1 | EA | |
| R172 | 1 | EA | |
| R173 | 1 | EA | |
| R175 | 1 | EA | |
| R176 | 1 | EA | |
| R201 | 1 | EA | |
| R202 | 1 | EA | |
| R203 | 1 | EA | |
| R204 | 1 | EA | |
| R205 | 1 | EA | |
| R206 | 1 | EA | |
| R207 | 1 | EA | |
| R208 | 1 | EA | |
| R209 | 1 | EA | |
| R210 | 1 | EA | |
| R211 | 1 | EA | |
| R212 | 1 | EA | |
| R213 | 1 | EA | |
| R214 | 1 | EA | |
| R215 | 1 | EA | |
| R216 | 1 | EA | |
| R217 | 1 | EA | |
| R218 | 1 | EA | |
| R219 | 1 | EA | |
| R220 | 1 | EA | |
| R221 | 1 | EA | |
| R222 | 1 | EA | |
| R223 | 1 | EA | |
| R224 | 1 | EA | |
| R225 | 1 | EA | |
| R226 | 1 | EA | |

| | | | |
|------|---|----|--|
| R227 | 1 | EA | |
| R228 | 1 | EA | |
| R229 | 1 | EA | |
| R230 | 1 | EA | |
| R235 | 1 | EA | |
| R236 | 1 | EA | |
| R401 | 1 | EA | |
| R402 | 1 | EA | |
| R403 | 1 | EA | |
| R404 | 1 | EA | |
| R405 | 1 | EA | |
| R406 | 1 | EA | |
| R407 | 1 | EA | |
| R408 | 1 | EA | |
| R409 | 1 | EA | |
| R410 | 1 | EA | |
| R411 | 1 | EA | |
| R412 | 1 | EA | |
| R413 | 1 | EA | |
| R414 | 1 | EA | |
| R415 | 1 | EA | |
| R416 | 1 | EA | |
| R417 | 1 | EA | |
| R418 | 1 | EA | |
| R419 | 1 | EA | |
| R420 | 1 | EA | |
| R421 | 1 | EA | |
| R422 | 1 | EA | |
| R423 | 1 | EA | |
| R424 | 1 | EA | |
| R425 | 1 | EA | |
| R426 | 1 | EA | |
| R427 | 1 | EA | |
| R428 | 1 | EA | |
| R429 | 1 | EA | |
| R430 | 1 | EA | |
| R431 | 1 | EA | |
| R432 | 1 | EA | |
| R433 | 1 | EA | |
| R434 | 1 | EA | |
| R501 | 1 | EA | |
| R502 | 1 | EA | |
| R503 | 1 | EA | |
| R504 | 1 | EA | |
| R505 | 1 | EA | |
| R506 | 1 | EA | |
| R507 | 1 | EA | |
| R508 | 1 | EA | |

| | | | |
|------|---|----|----------------|
| R509 | 1 | EA | |
| R510 | 1 | EA | |
| R511 | 1 | EA | |
| R512 | 1 | EA | |
| R513 | 1 | EA | |
| R514 | 1 | EA | |
| R515 | 1 | EA | |
| R516 | 1 | EA | |
| R517 | 1 | EA | |
| R518 | 1 | EA | |
| R519 | 1 | EA | |
| R520 | 1 | EA | |
| R521 | 1 | EA | |
| R522 | 1 | EA | |
| R523 | 1 | EA | |
| R524 | 1 | EA | |
| R525 | 1 | EA | |
| R526 | 1 | EA | |
| R527 | 1 | EA | |
| R528 | 1 | EA | |
| R529 | 1 | EA | |
| R530 | 1 | EA | |
| R531 | 1 | EA | |
| R532 | 1 | EA | |
| R533 | 1 | EA | |
| R534 | 1 | EA | |
| R535 | 1 | EA | |
| R536 | 1 | EA | |
| R537 | 1 | EA | 360 OHM 1/5W J |
| R538 | 1 | EA | 360 OHM 1/5W J |
| R539 | 1 | EA | |
| R540 | 1 | EA | |
| R541 | 1 | EA | |
| R542 | 1 | EA | |
| R543 | 1 | EA | |
| R544 | 1 | EA | |
| R567 | 1 | EA | |
| R568 | 1 | EA | |
| R569 | 1 | EA | |
| R570 | 1 | EA | |
| R911 | 1 | EA | |
| R912 | 1 | EA | |
| R915 | 1 | EA | |
| R916 | 1 | EA | |
| R917 | 1 | EA | |
| R918 | 1 | EA | |
| R920 | 1 | EA | |
| R921 | 1 | EA | |

| | | | |
|------|----|----|-----------------|
| R922 | 1 | EA | |
| | 1 | EA | |
| | 1 | EA | |
| | 1 | EA | A-R600EUR |
| | 1 | EA | |
| | 1 | EA | |
| | 2 | EA | |
| | 1 | EA | AA-900/AG-V8525 |
| | 1 | G | |
| | 1 | EA | |
| | 1 | EA | A-R600 |
| | 8 | EA | 00M51260308M0 |
| | 6 | EA | |
| Q523 | 1 | EA | KTD2058-Y-U/PF |
| Q524 | 1 | EA | KTD2058-Y-U/PF |
| Q533 | 1 | EA | 2SC3519A |
| Q534 | 1 | EA | 2SC3519A |
| Q535 | 1 | EA | 2SA1386A |
| Q536 | 1 | EA | 2SA1386A |
| TW01 | 1 | EA | NTC5D103 |
| | 1 | EA | ALL MODEL |
| | 1 | EA | |
| | 15 | G | |
| | 17 | G | |
| | 3 | G | |
| | 5 | G | |
| BN01 | 1 | EA | |
| BN05 | 1 | EA | |
| BN13 | 1 | EA | |
| BN43 | 1 | EA | |
| CN02 | 1 | EA | 00906-0014 |
| CN03 | 1 | EA | 00906-0017 |
| CN04 | 1 | EA | YMW025-04R |
| CN05 | 1 | EA | YMW025-04R |
| CN06 | 1 | EA | |
| CN09 | 1 | EA | |
| CN12 | 1 | EA | |
| CN21 | 1 | EA | YMW025-02R |
| CN44 | 1 | EA | YMW025-04R |
| C901 | 1 | EA | CKB2H103K16BW1 |
| C902 | 1 | EA | CKB2H103K16BW1 |
| C903 | 1 | EA | CKB2H103K16BW1 |
| C904 | 1 | EA | CKB2H103K16BW1 |
| C905 | 1 | EA | |
| C906 | 1 | EA | |
| C909 | 1 | EA | |
| C910 | 1 | EA | |
| C911 | 1 | EA | |

| | | | |
|------|-----|----|-----------------|
| C912 | 1 | EA | |
| D901 | 1 | EA | |
| | 1 | EA | A-R600 |
| | 1 | EA | |
| | 1 | EA | KBPC2504WF |
| | 0.3 | G | |
| IC01 | 1 | EA | NJU7312AL |
| IC02 | 1 | EA | KA4558S |
| IC91 | 1 | EA | |
| | 1 | EA | ALL MODEL |
| | 1 | EA | 00M51260308M0 |
| | 1 | EA | KA7815ETU |
| | 1 | G | |
| IC92 | 1 | EA | |
| | 1 | EA | ALL MODEL |
| | 1 | EA | 00M51260308M0 |
| | 1 | EA | KA7915TU |
| | 0.2 | G | |
| IC93 | 1 | EA | KMY1A025 |
| | 1 | EA | ALL MODEL |
| | 1 | EA | 00M51260308M0 |
| | 1 | EA | KIA7805API-U/PF |
| | 0.2 | G | |
| JK01 | 1 | EA | RCA-610DG-05 |
| JK02 | 1 | EA | RCA-601DA-05 |
| JK03 | 1 | EA | RCA-601DA-05 |
| JW20 | 1 | EA | |
| L501 | 1 | EA | |
| L502 | 1 | EA | |
| Q411 | 1 | EA | 2SC2911S |
| Q412 | 1 | EA | 2SC2911S |
| Q413 | 1 | EA | 2SA1209S/T |
| Q414 | 1 | EA | 2SA1209S/T |
| Q509 | 1 | EA | KTC3200-GR-AT/P |
| Q510 | 1 | EA | KTC3200-GR-AT/P |
| Q511 | 1 | EA | KTC3200-GR-AT/P |
| Q512 | 1 | EA | KTC3200-GR-AT/P |
| Q513 | 1 | EA | KTA1267-Y-AT/P |
| Q514 | 1 | EA | KTA1267-Y-AT/P |
| Q515 | 1 | EA | KTA1267-Y-AT/P |
| Q516 | 1 | EA | KTA1267-Y-AT/P |
| Q517 | 1 | EA | 2SA1209S/T |
| Q518 | 1 | EA | 2SA1209S/T |
| Q519 | 1 | EA | 2SC2911S |
| Q520 | 1 | EA | 2SC2911S |
| Q521 | 1 | EA | 2SC2911S |
| Q522 | 1 | EA | 2SC2911S |
| Q525 | 1 | EA | 2SC3423-0(Q,H) |

| | | | |
|------|---|----|----------------|
| Q526 | 1 | EA | 2SC3423-0(Q,H) |
| Q527 | 1 | EA | 2SA1360-O(Q,H) |
| Q528 | 1 | EA | 2SA1360-O(Q,H) |
| Q529 | 1 | EA | KTD2061-Y-U/PF |
| Q530 | 1 | EA | KTD2061-Y-U/PF |
| Q531 | 1 | EA | KTB1369-Y-U/PF |
| Q532 | 1 | EA | KTB1369-Y-U/PF |
| RL01 | 1 | EA | 9-1419125-8 |
| RL02 | 1 | EA | 9-1419125-8 |
| RL03 | 1 | EA | 9-1419125-8 |
| RL04 | 1 | EA | 9-1419125-8 |
| R549 | 1 | EA | |
| R550 | 1 | EA | |
| R551 | 1 | EA | |
| R552 | 1 | EA | |
| R553 | 1 | EA | |
| R554 | 1 | EA | |
| R555 | 1 | EA | |
| R556 | 1 | EA | |
| R557 | 1 | EA | |
| R558 | 1 | EA | |
| R559 | 1 | EA | 0.22 OHM 5W K |
| R560 | 1 | EA | 0.22 OHM 5W K |
| R561 | 1 | EA | 0.22 OHM 5W K |
| R562 | 1 | EA | 0.22 OHM 5W K |
| R563 | 1 | EA | |
| R564 | 1 | EA | |
| R565 | 1 | EA | |
| R566 | 1 | EA | |
| R575 | 1 | EA | |
| R576 | 1 | EA | |
| R901 | 1 | EA | |
| R902 | 1 | EA | |
| R903 | 1 | EA | |
| R904 | 1 | EA | |
| R905 | 1 | EA | |
| R906 | 1 | EA | |
| R907 | 1 | EA | |
| R908 | 1 | EA | |
| R909 | 1 | EA | |
| R910 | 1 | EA | |
| R913 | 1 | EA | |
| SP01 | 1 | EA | JB-405E-02 |
| SP02 | 1 | EA | PTB-408SA-030 |
| TP01 | 1 | EA | YMW025-02R |
| TP02 | 1 | EA | YMW025-02R |
| VR51 | 1 | EA | KVSF637TC471 |
| VR52 | 1 | EA | KVSF637TC471 |

| | | | |
|------|------|----|---------------|
| | 1 | EA | |
| | 17 | EA | |
| | 9 | EA | |
| | 8 | EA | |
| | 4 | EA | 00M51260308M0 |
| | 4 | EA | |
| | 3 | EA | |
| | 2 | EA | |
| | 7 | EA | |
| | 1 | EA | A-R600UK |
| | 2 | G | |
| | 2 | EA | |
| | 1 | EA | |
| | 1 | EA | |
| F902 | 1 | EA | |
| | 0.12 | M | |
| | 1 | EA | STA-3760/50 |
| | 1 | EA | |
| | 8 | EA | |
| | 1 | EA | A-R600EURCC |
| | 1 | EA | A-R600EURCC |
| | 2 | EA | DVR100 |
| | 1 | EA | DVD-310 |
| | 0.12 | M | SONY(TR-4070) |
| | 2 | EA | ALL MODEL |
| | 1 | EA | |
| | 2 | EA | 00D3940012003 |
| | 1 | EA | |
| DED | 1 | EA | |
| | 3 | EA | |
| | 1 | EA | |
| | 1 | EA | |
| | 1 | EA | |
| | 4 | EA | SH08M790BO |
| | 0.2 | M | |
| | 1 | M | |